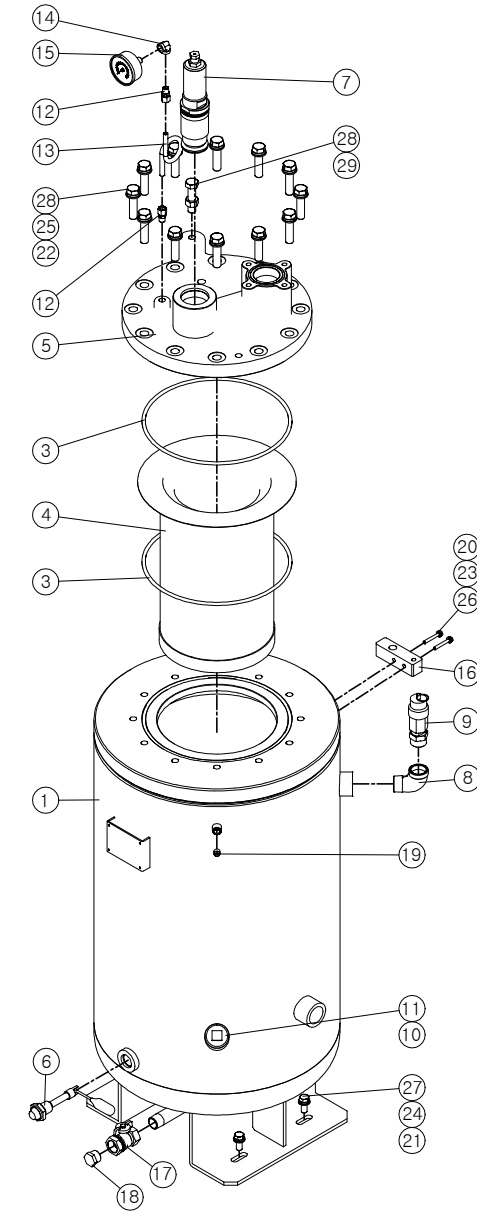


NO.	PARTS	PARTS NO.	Q'TY.	NO.	PARTS	PARTS NO.	Q'TY.
1	BASE	A302313110	1	13	WASHER-PLAIN M16	3302A00160	20
2	VIBRATION INSULATOR	A308100015P	2	14	WASHER-SPRING M12	3312A00120	11
3	PLATE, VIBRATION INSULATOR	A302313123	2	15	WASHER-SPRING M16	3312A00160	12
4	VIBRATION INSULATOR	A308100016P	2	16	BOLT-SEMS HEX HEAD	3141A00816	3
5	AIR END UNIT-RTA-7R	A10957027	1	17	BOLT-SEMS HEX HEAD	3141A01225	4
6	COUPLING HOUSING(가공)	A306313001	1	18	BOLT-SEMS HEX HEAD	3141A01230	4
7	PIN-DOWEL	34401250	2	19	BOLT-SOCKET HD.	3011A12040	4
8	COUPLING ASSY	A306313003P	1	20	BOLT-HEX. HD	3001D12045	11
9	MAIN MOTOR-90KW/60HZ(호성)	A30116699007	1	21	BOLT-HEX HD	3001D16055	2
10	PROTECTOR, COUPLING HOUSUNG	A302313031	1	22	BOLT-HEX HD	3001D16065	2
11	BRACKET, BASE	A302313085	1	23	BOLT-HEX HD	3001D16075	8
12	WASHER-PLAIN M12	3302A00120	11	24	NUT-HEX.	3202E01160	8

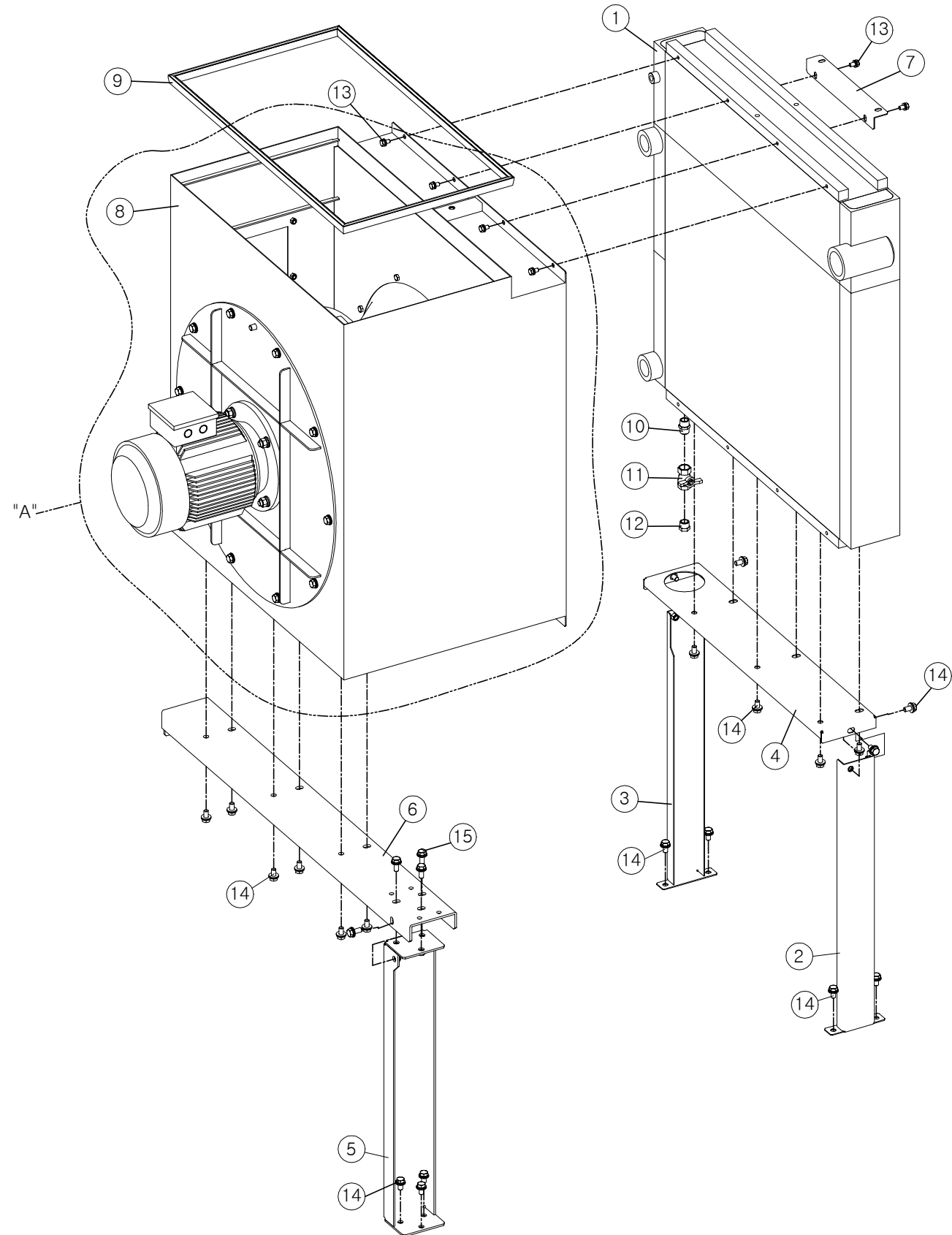
8-1	FLANGE	A30631412P	1	8-4	SPIDER	A30631411P	
8-2	BUSH-AIR END	A30631413	1	8-5	SCREW-무두렌치	31011630	
8-3	BUSH-AIR END	A30631336	11				

2

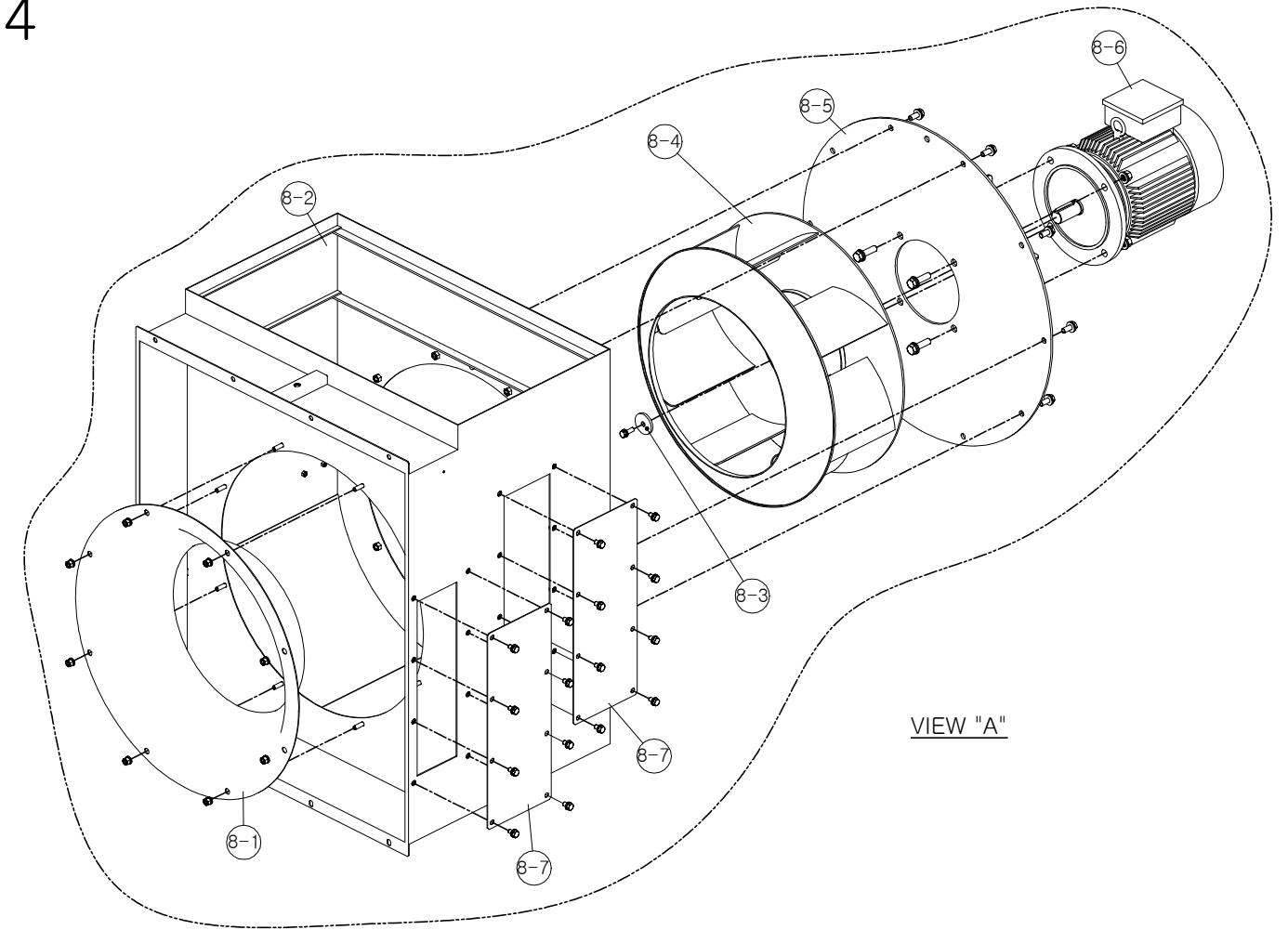


NO	PART	PART_NO	QTY	NO	PART	PART_NO	QTY	비고
1	SEPARATOR TANK	A303313024	1	16	BLOCK	A303313013	1	
2	SHAFT-ROTATION	A30331307	1	17	BALL VALVE	41001004	1	
3	O-RING	4400G11300	2	18	PLUG	40505004	1	
4	SEPARATOR ELEMENT	A303313010P	1	19	PLUG	40506001	1	
5	TOP COVER	A30331306	1	20	WASHER-PLAIN	3302A00060	2	
6	LEVEL GAUGE	A311500001P	1	21	WASHER-PLAIN	3302A00120	4	
7	MIN.PRESSURE VALVE	A31210006P	1	22	WASHER-PLAIN	3302A00160	12	
8	ELBOW	A315722005	1	23	WASHER-SPRING	3312A00060	2	
9	SAFETY VALVE	A31290002P	1	24	WASHER-SPRING	3312A00120	4	
10	O-RING	4400G16035	1	25	WASHER-SPRING	3312A00160	12	
11	OIL CAP	A30331004	1	26	BOLT-HEX HEAD	3001A06045	2	
12	NIPPLE	40307007	2	27	BOLT-HEX HEAD	3001D12030	4	
13	동관	A31740026	1	28	BOLT-HEX HEAD	3001D16065	13	
14	ELBOW	40109002	1	29	NUT-HEX	3202A01160	1	
15	PRESSURE GAUGE	A31110001P	1					

3



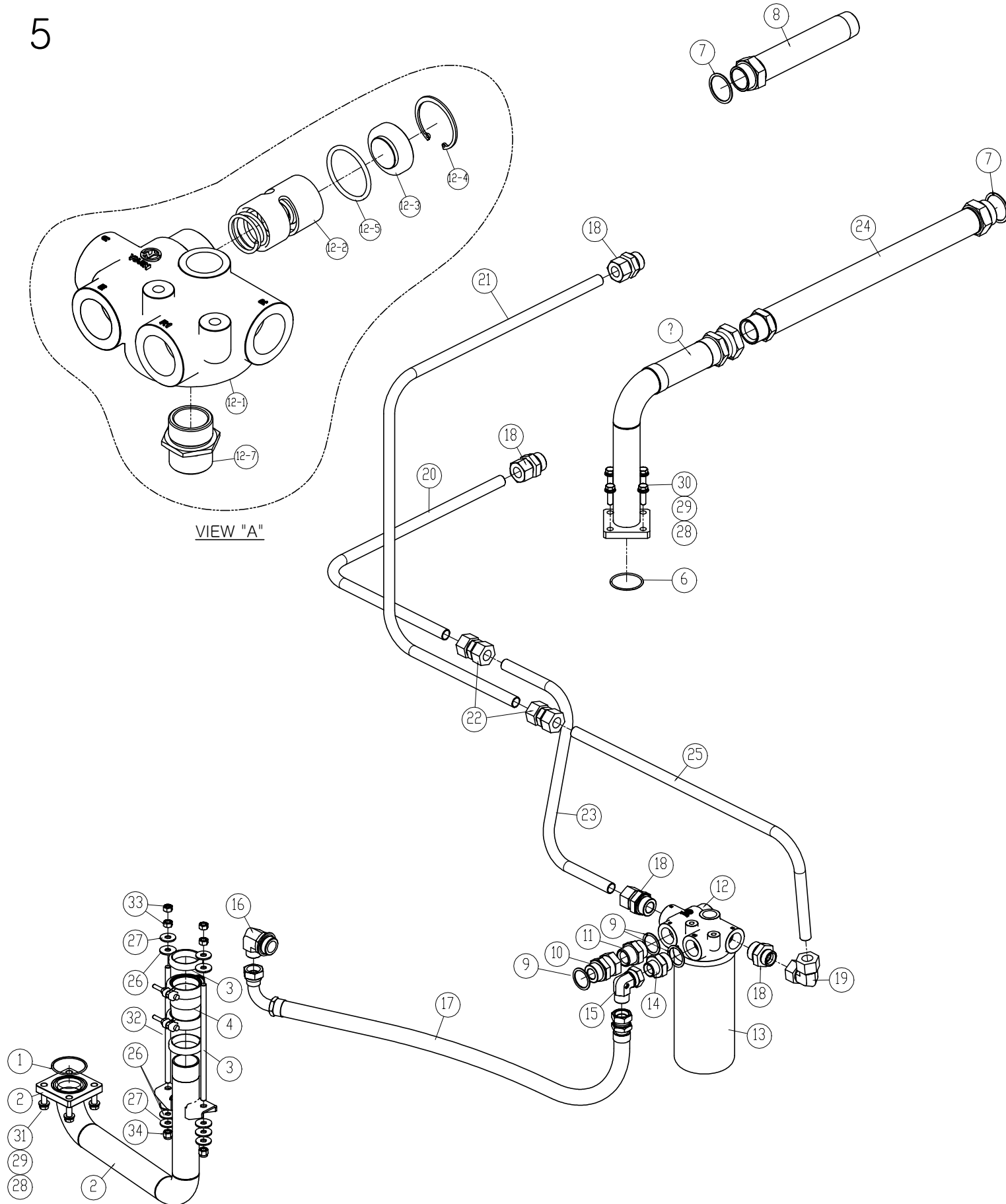
4



NO	PART	PART_NO	QTY	NO	PART	PART_NO	QTY
1	COMBINATION COOLER	A30431306P	1	8-4	LIMIT LOAD FAN	A304313014	1
2	BRACKET	A302313075	1	8-5	SUPPORT	A302313074	1
3	BRACKET	A302313076	1	8-6	FAN MOTOR	A301046215	1
4	SUPPORT	A302313077	1	8-7	COVER	A302313086	2
5	SUPPORT	A302313084	1	9	RUBBER SEAL	A30840001P	1
6	SUPPORT	A302313072	1	10	NIPPLE	40305004	1
7	BRACKET	A302313082	1	11	VALVE	41006003	1
8	LIMIT LOAD FAN ASS'Y	A304313016	1	12	PLUG	40505003	1
8-1	BELL MOUTH	A304313015	1	13	BOLT-SMES HEX HEAD	31860815	10
8-2	HOUSING	A302313073	1	14	BOLT-SMES HEX HEAD	31861020	23
8-3	PLAIN WASHER	A319300003	1	15	BOLT-SMES HEX HEAD	3141A01025	4

Oil & Air Mixture Line

5



Oil & Air Mixture Line

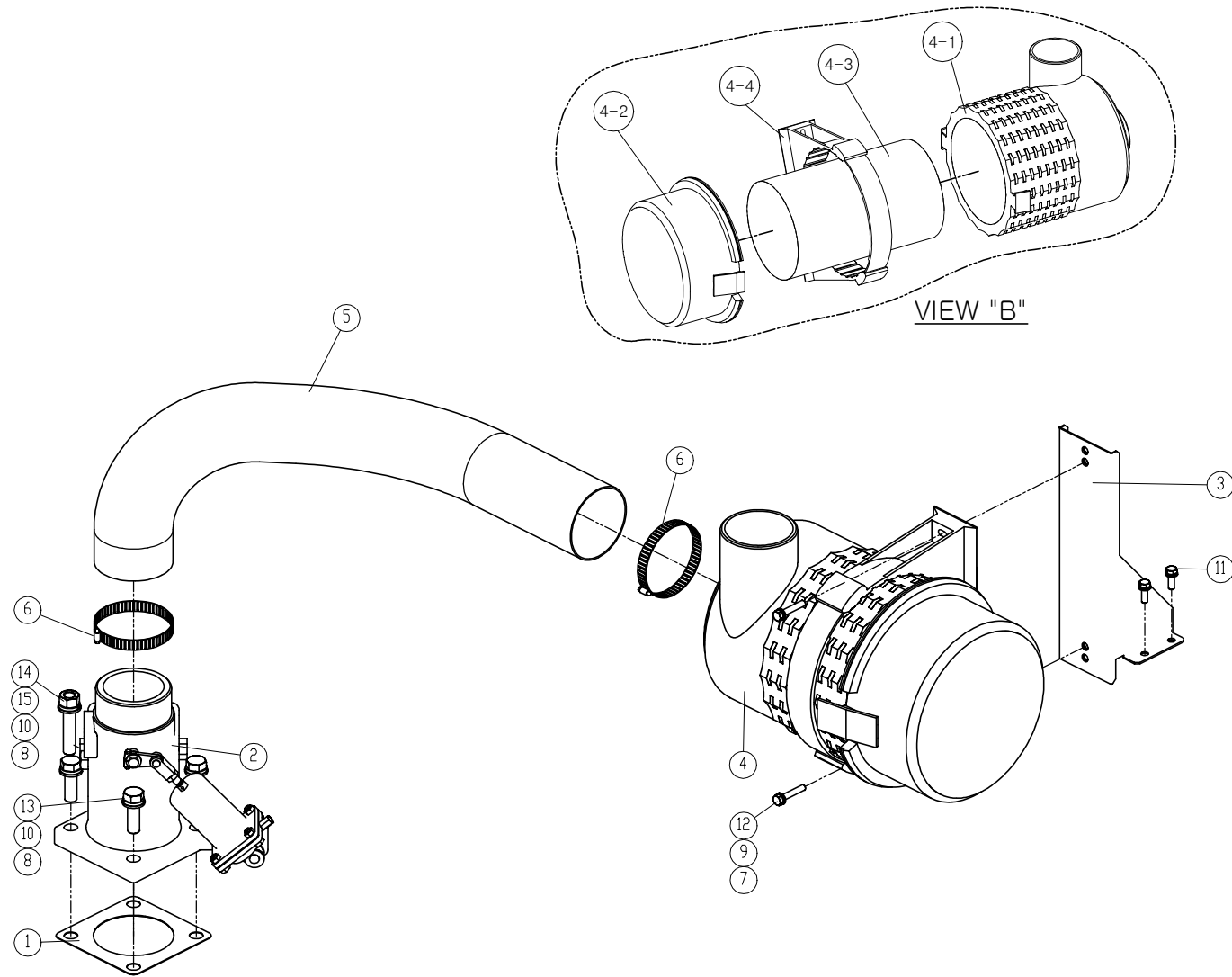
6

NO.	PARTS	PARTS NO.	Q'TY.	NO.	PARTS	PARTS NO.	Q'TY.
1	O-RING	4400G16075	1	18	MALE CONNECTOR	42302122	4
2	DISCHARGE CONNECTOR	A303313025	1	19	ELBOW-BITE, SWIVEL(Φ25)	42102040	1
3	RUBBER JOINT FLEXIBLE	A318600002	2	20	OIL LINE 2(COOLER IN)	A317313013	1
4	JOINT-FLEXIBLE	A31860017P	1	21	OIL LINE 3(COOLER OUT)	A317313014	1
5	METAL HOSE, AIR LINE(50A)	A317113037	1	22	UNION CONNECTOR(Φ25)	42305112	2
6	O-RING	4400G16070	1	23	OIL LINE 1(COOLER-IN)	A317313049	1
7	GASKET-COPPER	A31820006	2	24	PIPE, AIR LINE 2"	A31720116	1
8	PIPE, AIR LINE(SERVICE)	A317213018	1	25	OIL LINE 4(COOLER-OUT)	A317313050	1
9	GASKET-COPPER	A31820004	3	26	ANTIVIBRATION PAD	A308100001	6
10	SWIVEL ADAPTER	A31520005	1	27	PLAIN WASHER(M12)	A319300001	4
11	MALE CONNECTOR	A31510005	1	28	WASHER-PLAIN M12	3302A00120	8
12	THERMOSTATIC V/V ASS'Y	A30931303	1	29	WASHER-SPRING M12	3312A00120	8
13	FILTER-OIL	A30931201P	1	30	BOLT-HEX HD	3001D12040	4
14	MALE RED CONNECTOR	A31540005	1	31	BOLT-HEX. HD	3001D12045	4
15	SWIVEL ELBOW(90°)	A31580008	1	32	SUPPORT BOLT	A319400003	2
16	MALE ELBOW-LOCK NUT(G 1"(30")x G1 1/4")	A31572005	1	33	NUT-HEX	3202A01120	4
17	METAL HOSE, OIL INJECTION	A317113020	1	34	NUT-LOCK M12(NYLON)	3211A00120	2

12-1	THERMOSTATIC V/V, HOUSING	A30931304	1	12-4	RETAINER RING-C 47	36202047	
12-2	THERMOSTATIC VALVE, KIT ASSY	A30931305	1	12-5	O-RING	49900082	
12-3	THERMOSTAT VALVE, COVER	A30931306	1	12-6	NIPPLE, OIL FILTER	A30931307	

Intake V/V & Air Cleaner

7

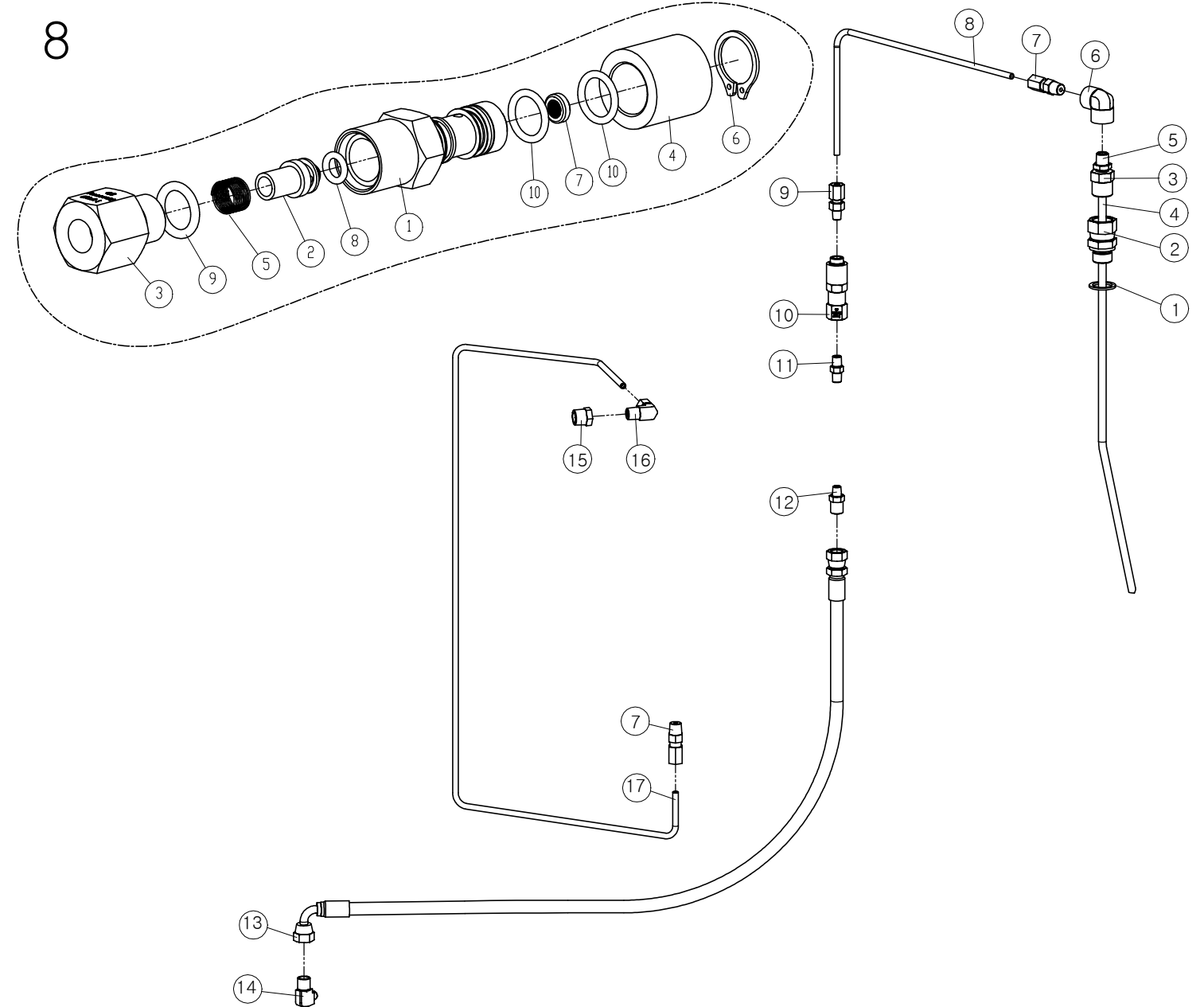


NO.	PARTS	PARTS NO.	Q'TY.	NO.	PARTS	PARTS NO.	Q'TY.
1	GASKET-INTAKE V/V	A31830008	1	9	WASHER-SPRING M8	3312A00080	2
2	INTAKE VALVE ASS'Y	A31220002	1	10	WASHER-SPRING M16	3312A00160	4
3	BRACKET, AIR CLEANER	A30233784	1	11	BOLT-SEMS HEX HEAD	31860825	4
4	AIR CLEANER ASSY	A31031201P	1	12	BOLT-HEX. HD	30010845	2
5	AIR HOSE(자바라)	A31630012	1	13	BOLT-HEX HD	30011650	3
6	HOSE BAND	92602014	2	14	SUPPORT BOLT	A319400002	1
7	WASHER-PLAIN M8	3302A00080	2	15	NUT-HEX.	3202A01160	1
8	WASHER-PLAIN M16	3302A00160	4				

NO.	PARTS	PARTS NO.	Q'TY.	NO.	PARTS	PARTS NO.	Q'TY.
1	AIR CLEANER HOUSING	A31031201P-1	1	3	AIR FILTER ELEMENT	A31031203P	1
2	AIR CLEANER COVER	A31031201P-2	1	4	AIR CLEANER BRACKET	A31031202P	1

Scavenge System

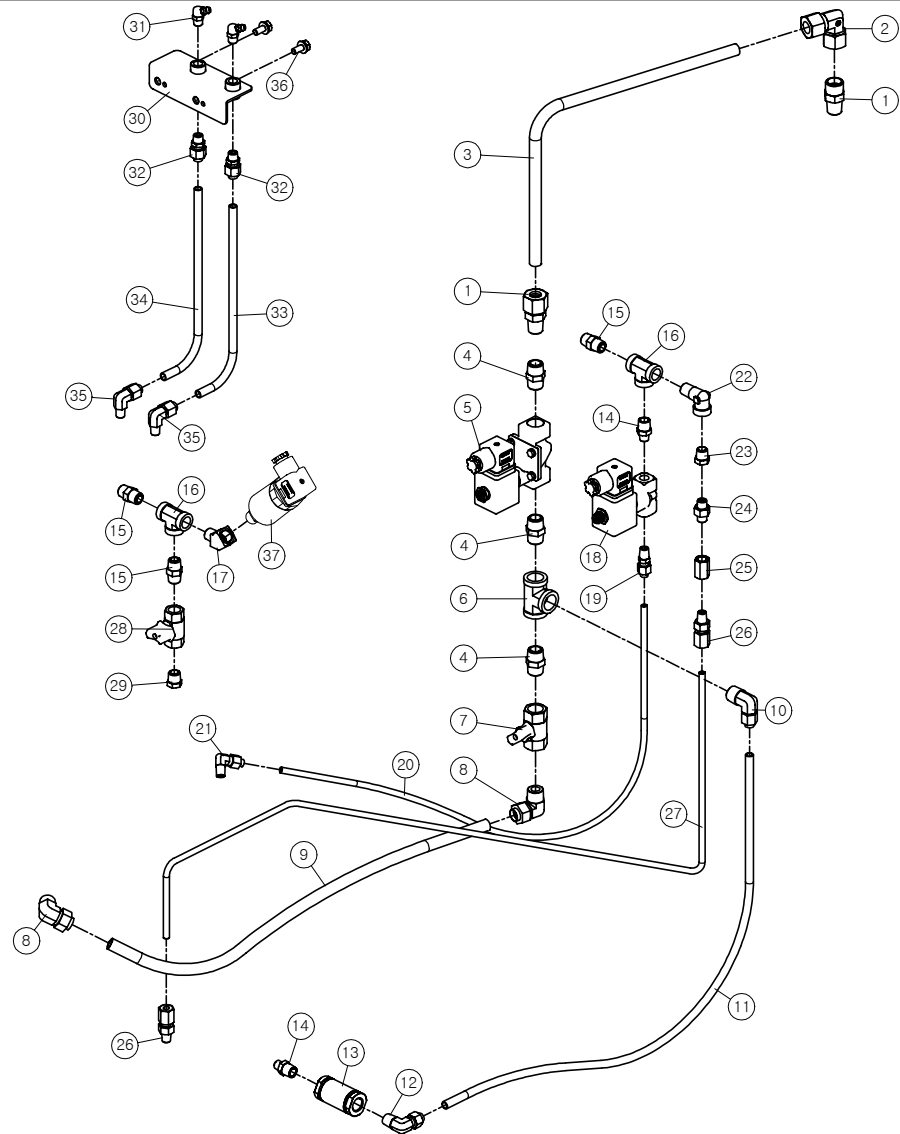
8



NO	PART	PART_NO	QTY	NO	PART	PART_NO	QTY
1	GASKET-COPPER	A31820001	1	10-5	SPRING	64030046	1
2	SWIVEL ADAPTER	A31520002	1	10-6	SNAP RING-C	361391014	1
3	MALE CONNECTOR	A315100001	1	10-7	FILTER MESH	A318500001	1
4	SEAMLESS PIPE	A317313006	1	10-8	O-RING	49900060	1
5	MALE CONNECTOR	42302209	1	10-9	O-RING	49900062	1
6	ELBOW	49901458	1	10-10	O-RING	49900090	2
7	NIPPLE	A315311206	3	11	NIPPLE	49901454	1
8	SCAVENGE	A317313052	1	12	MALE CONNECTOR	A31511009	1
9	NIPPLE	A315311205	1	13	HYDRAULIC HOSE	A316113003	1
10	OIL RECOVERY ASS'Y	A312600020	1	14	MALE CONNECTOR	A31510021	1
10-1	BODY	56101575	1	15	BUSHING	40604027	1
10-2	CHECK	56101576	1	16	ELBOW-BITE	42101025	1
10-3	ORIFICE	A316700003	1	17	OIL RETURN LINE	A317313063	1
10-4	OIL SIGHT GLASS	53101697	1				

Control System

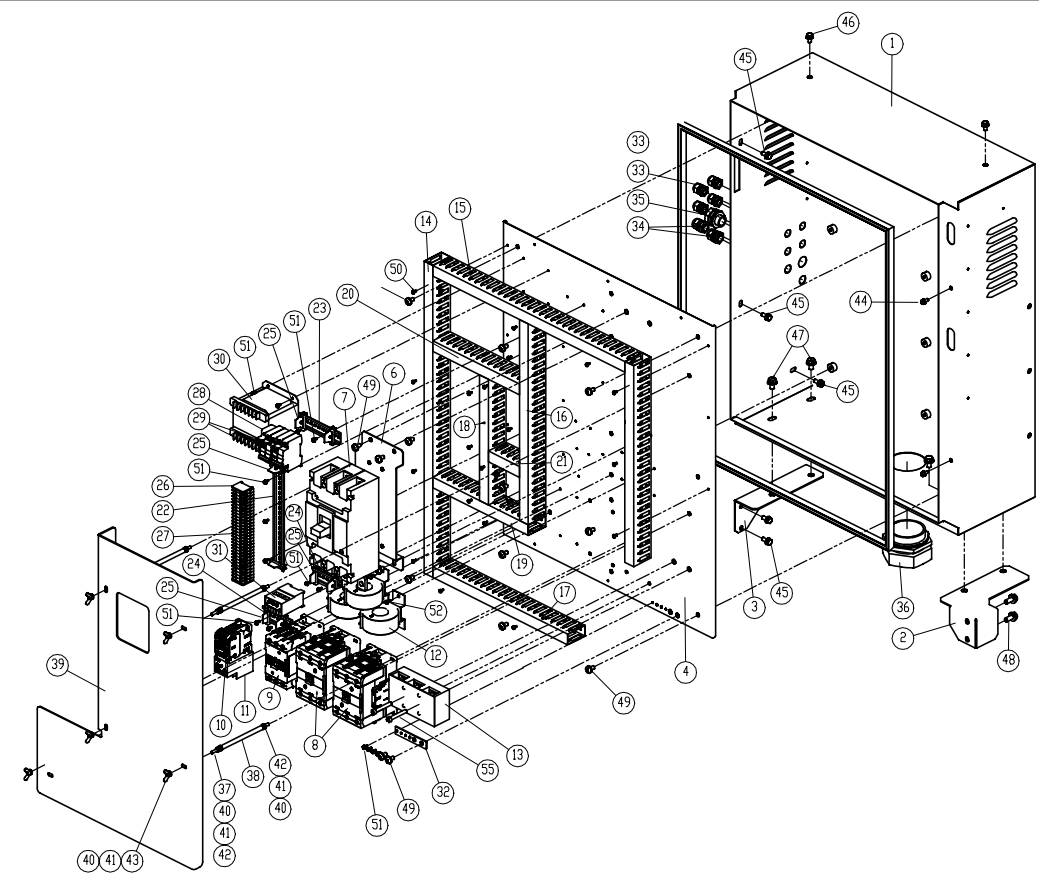
9



NO	PART	PART_NO	QTY	NO	PART	PART_NO	QTY
1	MALE CONNECTOR	A315311209	2	20	NYLON TUBE	A316200001	1
2	ELBOW	A315800003	1	21	ELBOW	40118001	1
3	SEAMLESS PIPE	A317313051	1	22	ELBOW	40110002	1
4	NIPPLE	40305003	3	23	BUSHING	40604024	1
5	SOL.VALVE	A31230008P	1	24	NIPPLE	66101001	1
6	TEE	40210003	1	25	SOCKET	A315600007	1
7	VALVE	41006004	1	26	NIPPLE	A315311205	2
8	ELBOW	40118009	2	27	AIR LINE	A317313064	1
9	NYLON TUBE	A316200004	1	28	VALVE	41006002	1
10	ELBOW	40118011	1	29	PLUG	40505001	1
11	NYLON TUBE	A316200002	1	30	BRACKET	A302310071	1
12	ELBOW	40118004	1	31	NIPPLE	A315100012	2
13	CHECK VALVE	66301096	1	32	NIPPLE	40314003	2
14	NIPPLE	40305012	2	33	NYLON TUBE	43102003	1
15	NIPPLE	40305002	3	34	NYLON TUBE	43102003	1
16	TEE	40210002	2	35	ELBOW	40118003	2
17	ELBOW	40110102	1	36	BOLT-SEMS HEX HEAD	3141A00616	2
18	SOL.VALVE	A31230001P	1	37	PRESSURE SENSOR	A31440020P	1
19	NIPPLE	40314001	1				

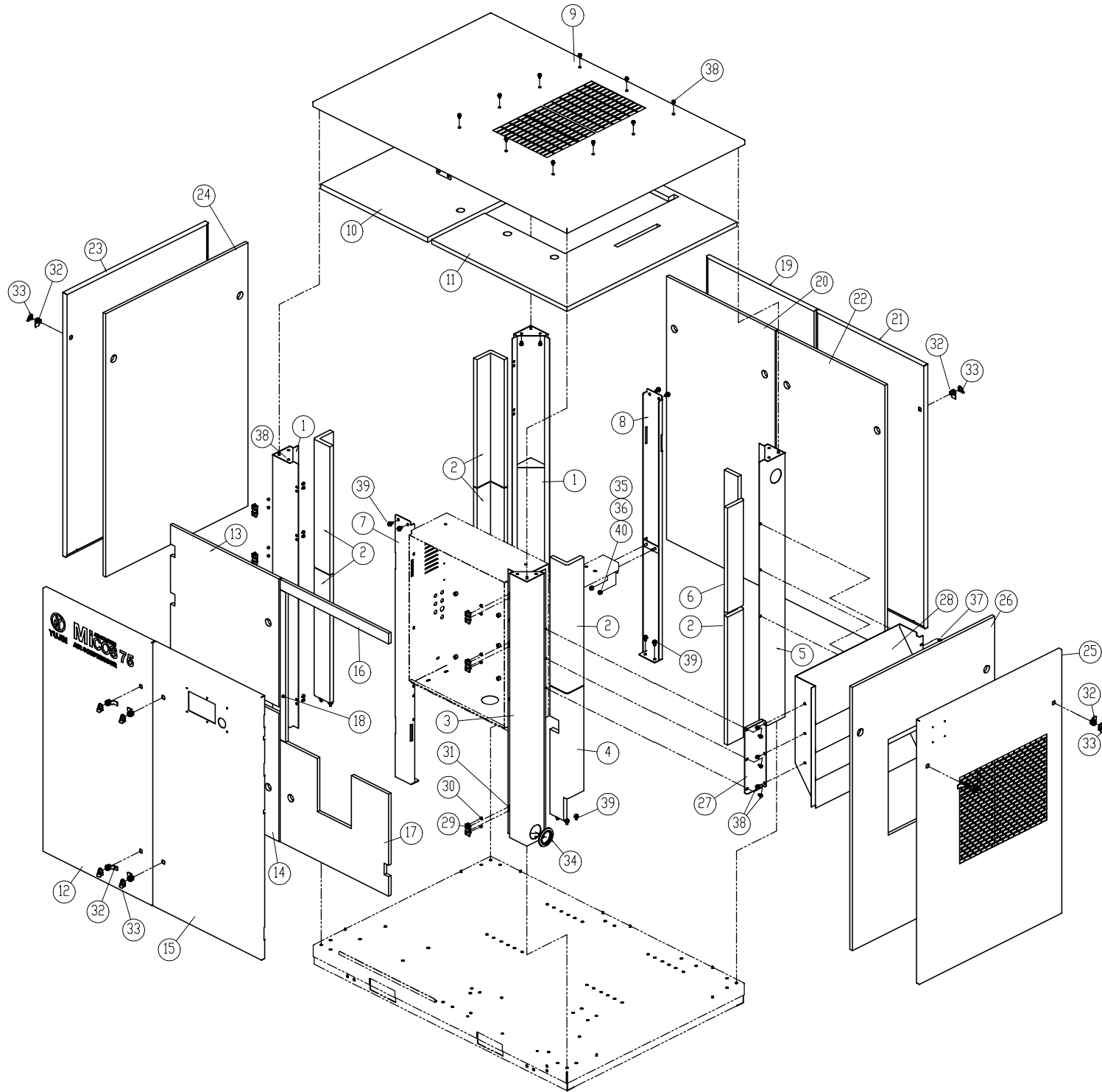
EIE. part

10



NO.	PARTS	PARTS NO.	Q'TY.	NO.	PARTS	PARTS NO.	Q'TY.
1	CONTROL BOX(MCCB)	A302313005	1	29	KMCB	A313400023	2
2	BRACKET 1, CONTROL BOX	A302313078	1	30	TRANSFORMER	A31360310	1
3	BRACKET 2, CONTROL BOX	A302313079	1	31	EDCR	A31430056	1
4	BACK PLATE(MCCB)	A302313006	1	32	EARTH BAR	A31490007	1
5	RUBBER SEAL	A30840001P	1	33	CABLE GRAND	A31420003	4
6	BRACKET, MCCB(ABS403C)	A302416272	1	34	CABLE GRAND	A31420004	2
7	MCCB	A31341037	1	35	FLEXIBLE CONNECTOR	A31420026	1
8	MC	A31310013	2	36	FLEXIBLE CONNECTOR	A31420032	1
9	MC	A31310011	1	37	SUPPORT BOLT	A319400014	5
10	MC	A31310001	1	38	PIPE, SUPPORT BOLT	A317313071	5
11	THERMAL RELAY	A31330044	1	39	COVER, SAFETY(CONTROL BOX)	A313813004	1
12	CT	A314300016	3	40	WASHER-PLAIN M6	3302A00060	15
13	TERMINAL BLOCK	A31350020	1	41	WASHER-SPRING M6	3312A00060	15
14	PVC DUCT	A31420051	1	42	NUT-HEX NORMAL	3202A01060	15
15	PVC DUCT	A31420051	1	43	NUT-BUTTERFLY M6	32310601	5
16	PVC DUCT	A31420051	2	44	BOLT-SEMS HEX HEAD(+)	3142A00616	2
17	PVC DUCT	A31420051	1	45	BOLT-SEMS HEX HEAD	3141A00820	5
18	PVC DUCT	A31420051	1	46	BOLT-SEMS HEX. HD	3141A00816	2
19	PVC DUCT	A31420051	1	47	BOLT-SEMS HEX HEAD	3141A01020	4
20	PVC DUCT	A31420051	1	48	BOLT-SEMS HEX HEAD	3141A01025	2
21	PVC DUCT	A31420051	1	49	SCREW-SEMS ROUND HD(+)	3143A00816	16
22	DIN RAIL(수평)	A31350024	1	50	SCREW-동근머리(+)	3111A04008	24
23	DIN RAIL(수평)	A31350024	1	51	SCREW-SEMS ROUND HD(+)	3143A00410	17
24	DIN RAIL(수평)	A31350024	2	52	SCREW-동근머리(+)	3111A05010	6
25	TERMINAL STOPPER	A31350030	8	53	SCREW-SEMS ROUND HD(+)	3143A00416	4
26	SEPARATOR	A31350031	2	54	SCREW-SEMS ROUND HD(+)	3143A00520	8
27	TERMINAL BLOCK	A31350002	30	55	BOLT-SOCKET HD.	3012A08055	2
28	FUSE HOLDER	A313400301	1				

11



12

NO.	PARTS	PARTS NO.	Q'TY.	NO.	PARTS	PARTS NO.	Q'TY.
1	SIDE POST, FRONT LEFT	A302313060	2	21	REAR COVER, RIGHT	A302313069	1
2	SOUND ABSORBENT	A305313017	6	22	SOUND ABSORBENT	A305313026	1
3	SIDE POST, FRONT RIGHT(MCCB)	A302313121	1	23	SIDE COVER, LEFT	A302313070	1
4	SOUND ABSORBENT	A305313043	1	24	SOUND ABSORBENT	A305313027	1
5	SIDE POST, REAR RIGHT	A302313062	1	25	SIDE COVER, RIGHT	A302313071	1
6	SOUND ABSORBENT	A305313019	1	26	SOUND ABSORBENT	A305313028	1
7	MIDDLE POST, FRONT(MCCB)	A302313122	1	27	BRACKET, BAFFLE	A302313081	1
8	MIDDLE POST, REAR	A302313064	1	28	BAFFLE, RIGHT	A302313080	1
9	TOP COVER(LIMIT LOAD FAN)	A302313065	1	29	HINGE	A32020001P	6
10	SOUND ABSORBENT	A305313020	1	30	NUT-LOCK NYLON M6	3211A00060	12
11	SOUND ABSORBENT	A305313021	1	31	BOLT-FLANGE	30220610	12
12	FRONT COVER, LEFT	A302313066	1	32	DOOR LOCK	A320100005P	12
13	SOUND ABSORBENT	A305313038	1	33	FINGER PULL	A320100006P	11
14	SOUND ABSORBENT	A305313039	1	34	RUBBER SEAL	A30840001P	1
15	FRONT COVER, RIGHT	A302313067	1	35	WASHER-PLAIN SMALL	3302A00100	2
16	SOUND ABSORBENT	A305313044	1	36	WASHER-SPRING M10	3312A00100	2
17	SOUND ABSORBENT	A305313045	1	37	BOLT-SEMS HEX HEAD(+)	3142A00616	3
18	SOUND ABSORBENT	A305313046	1	38	BOLT-SEMS HEX. HD	3141A00816	24
19	REAR COVER, LEFT	A302313068	1	39	BOLT-SEMS HEX HEAD	3141A01020	20
20	SOUND ABSORBENT	A305313025	1	40	NUT-HEX NORMAL	3202A01100	2