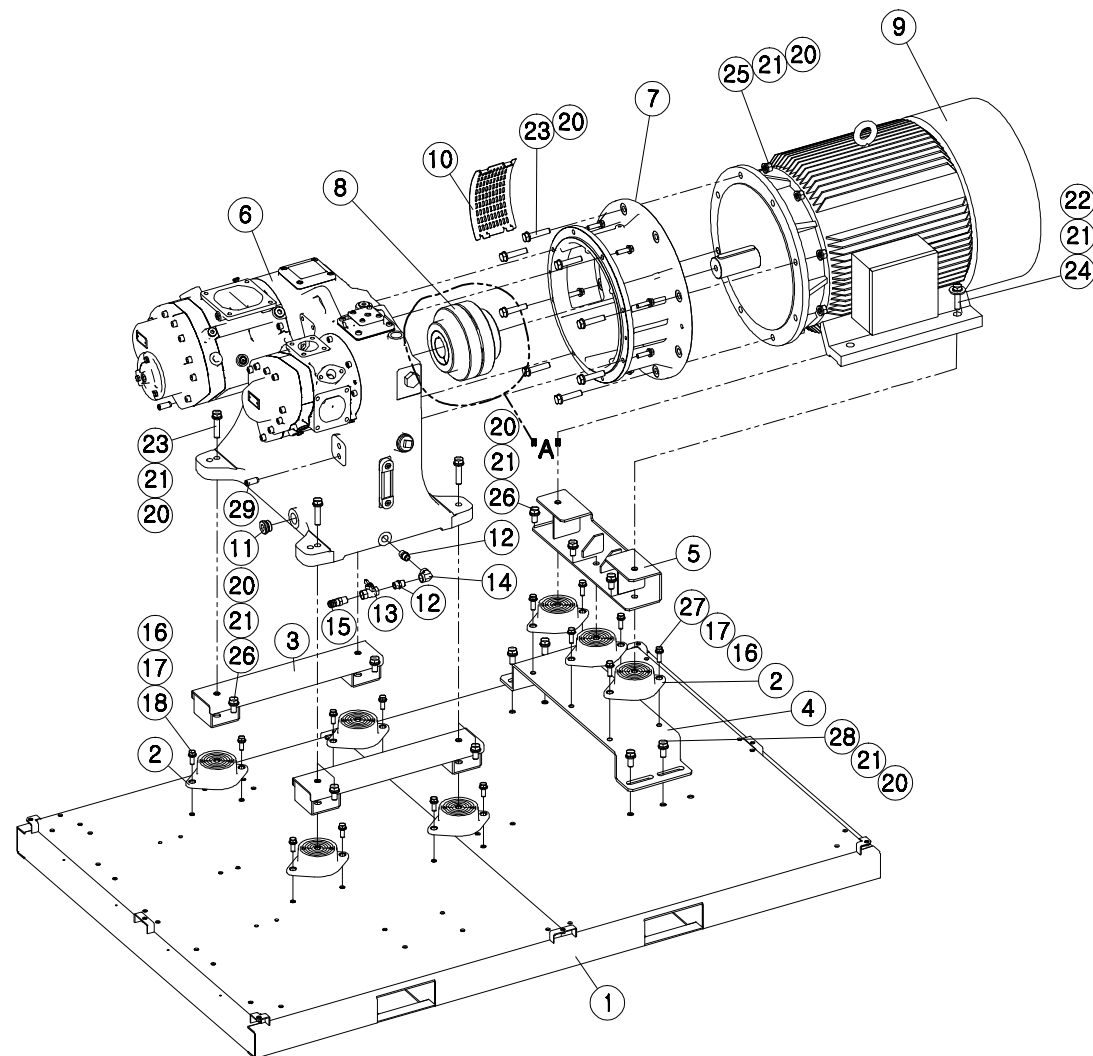
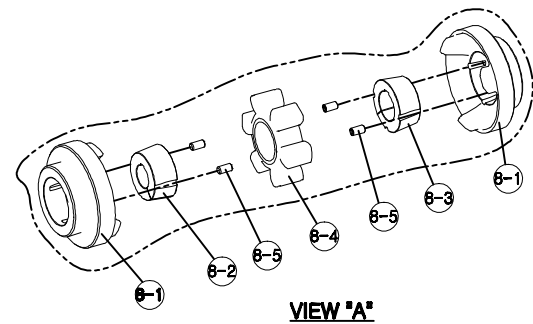
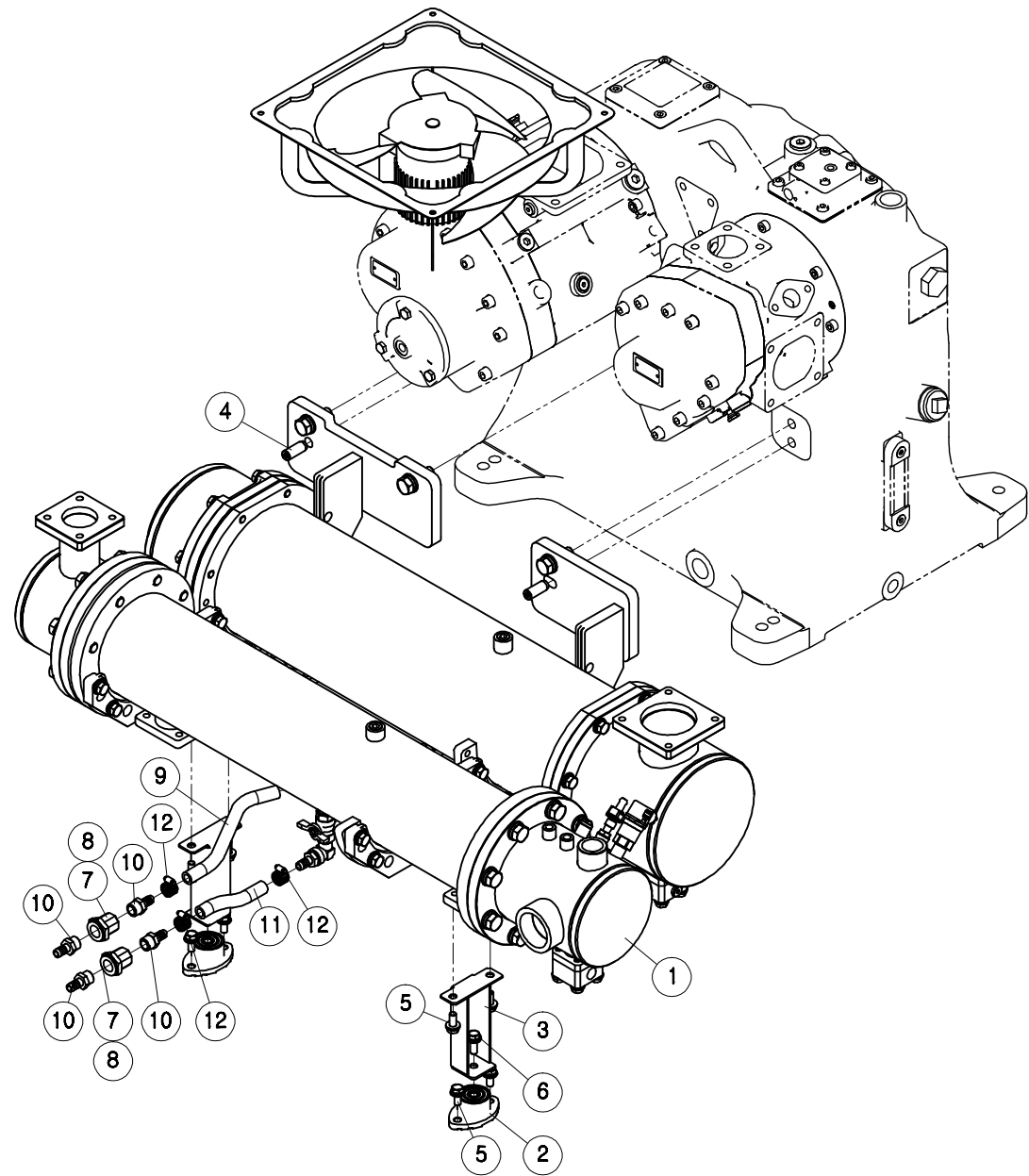


1

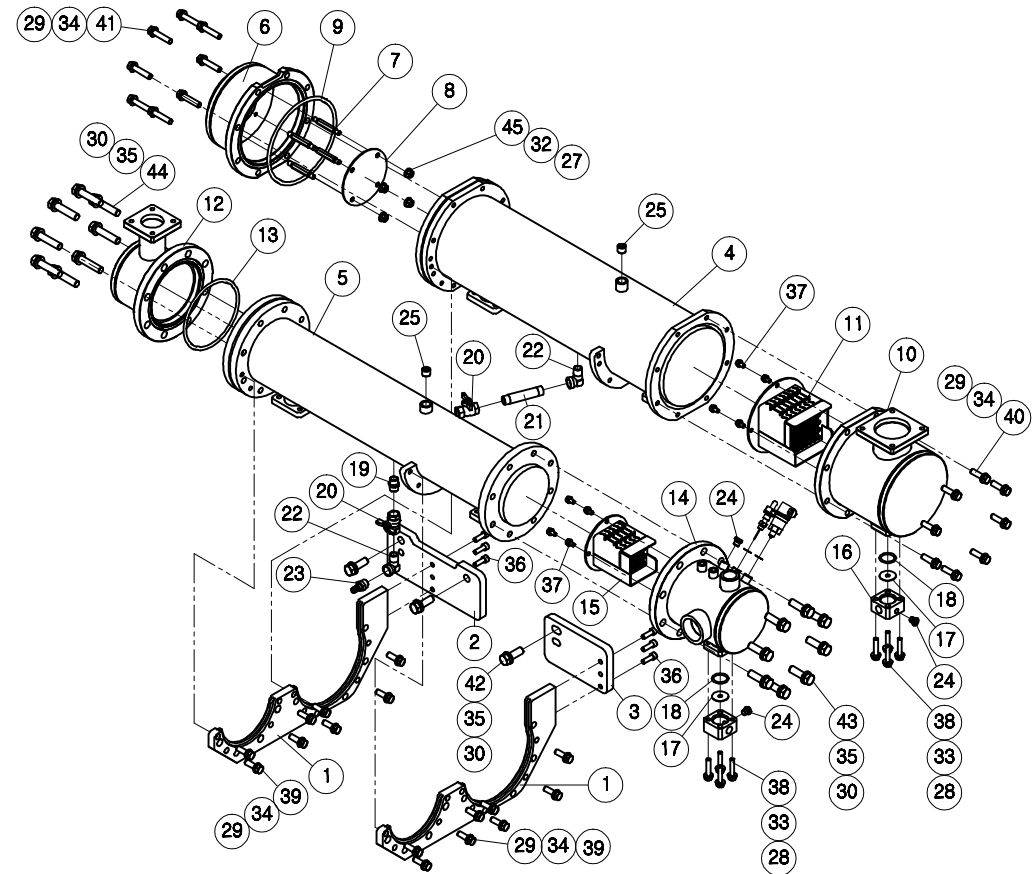


NO	PART	PART_NO	QTY	NO	PART	PART_NO	QTY
1	BASE	A302413011	1	13	VALVE	41006003	1
2	MOUNTING RUBBER	A30810003	7	14	ELBOW	40109004	1
3	SUPPORT	A302413041	2	15	NIPPLE	40308020	1
4	SUPPORT	A302413042	1	16	WASHER-PLAIN	33031201	22
5	SUPPORT	A302413043	1	17	WASHER-SPRING	33141201	22
6	YDF-57 GEAR CASE UNIT	A10931108	1	18	BOLT-HEX HEAD	30011235	8
7	COUPLING HOUSING	A30641301	1	19	BOLT-HEX HEAD	30031245	8
8	COUPLING ASS'Y	A30631409P	1	20	WASHER-PLAIN	33031601	31
8-1	FLANGE	A30631413P	2	21	WASHER-SPRING	33141601	25
8-2	BUSH	A30631414	1	22	WASHER-PLAIN	A31930001	2
8-3	BUSH	A30631415	1	23	BOLT-HEX HEAD	30031675	12
8-4	SPIDER	A30631411P	1	24	BOLT-HEX HEAD	30031670	2
8-5	SCREW-무두렌치	31011630	4	25	NUT-HEX	32011602	8
9	MAIN MOTOR	A39146438P	1	26	BOLT-HEX HEAD	30031635	7
10	PROTECTOR	A30241361	1	27	BOLT-HEX HEAD	30011240	6
11	PLUG	55441053P	1	28	BOLT-HEX HEAD	30031640	4
12	NIPPLE	40305004	2	29	PIN-DOWL	34401640	2

2

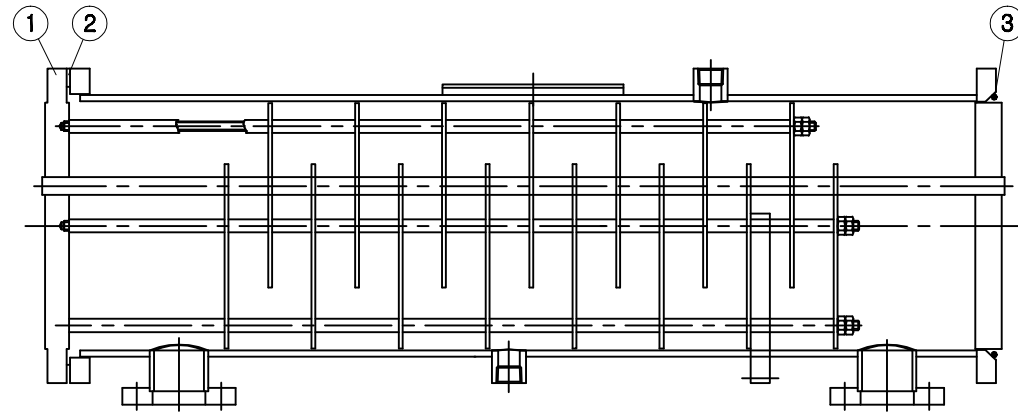


NO	PART	PART_NO	QTY	NO	PART	PART_NO	QTY
1	COOLER ASS'Y	A304412004	1	8	NUT	A302419063	2
2	MOUNTING RUBBER	A30810002	2	9	HYDRAULIC HOSE	A31612001	1
3	SUPPORT	A302413046	2	10	NIPPLE	40308018	4
4	PIN-DOWEL	34401640	2	11	HYDRAULIC HOSE	A31612001	1
5	BOLT-SEMS HEX HEAD	31861025	8	12	HOSE BAND	92602004	4
6	BOLT-SEMS HEX HEAD	31861030	2	13	SMALL PROPELLER FAN	A30431619	1
7	SOCKET	A315600001	2				

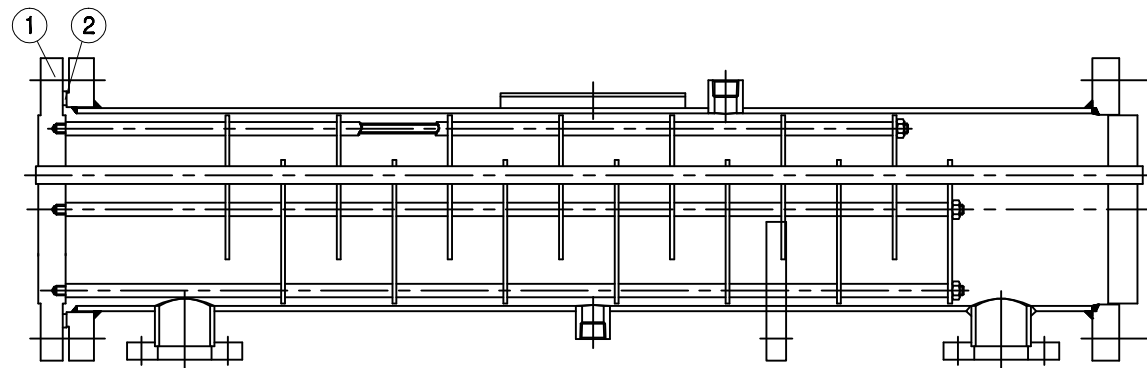


Cooler Ass'y

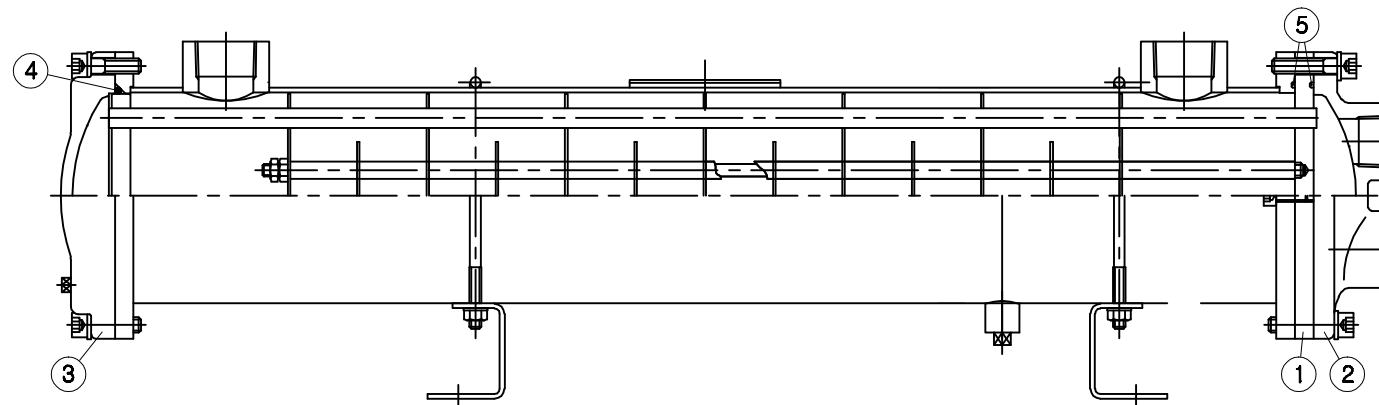
NO	PART	PART_NO	QTY	NO	PART	PART_NO	QTY
1	SUPPORT	A304413004	2	25	PLUG	40506003	2
2	PLATE	A304413005	1	26	WASHER-SPRING M8	33120801	8
3	PLATE	A304413006	1	27	WASHER-SPRING M10	33121001	4
4	INTER COOLER	A304412001	1	28	WASHER-PLAIN M10	33031001	8
5	AFTER COOLER	A304412002	1	29	WASHER-PLAIN M12	33031201	32
6	CONNECTION	A303413001	1	30	WASHER-PLAIN M16	33031601	19
7	DISTANCE BAR	A303419016	4	31	WASHER-PLAIN M8	33050801	8
8	PLATE	A303413009	1	32	WASHER-PLAIN M10	33051001	4
9	O-RING	49900075	1	33	WASHER-SPRING M10	33141001	8
10	WATER SEP. HOUSING	A303413002	1	34	WASHER-SPRING M12	33141201	32
11	WATER SEP. LP	A303413005	1	35	WASHER-SPRING M16	33141601	19
12	CONNECTION	A303413003	1	36	BOLT-SOCKET HEAD	30111030	6
13	O-RING	44093175P	1	37	BOLT-HEX HEAD	30050816	8
14	WATER SEP. HOUSING	A303413004	1	38	BOLT-HEX HEAD	30031050	8
15	WATER SEP. HP	A303413006	1	39	BOLT-HEX HEAD	30031240	16
16	BLOCK	A303413007	2	40	BOLT-HEX HEAD	30031245	8
17	PLATE	A303413008	2	41	BOLT-HEX HEAD	30031260	8
18	O-RING	44093035P	2	42	BOLT-HEX HEAD	30031650	3
19	NIPPLE	40305004	1	43	BOLT-HEX HEAD	30031655	8
20	VALVE	41006003	2	44	BOLT-HEX HEAD	30031675	8
21	NIPPLE	40304016	1	45	NUT-HEX	32041002	4
22	ELBOW	40110004	2	46	GASKET	A31820008	2
23	NIPPLE	40308018	2	47	TEMP SENSOR	A31440051P	1
24	PLUG	55441049P	3	48	PRESSURE SENSOR	A31440021P	1



Inter Cooler Ass'y



After Cooler Ass'y



Oil Cooler Ass'y

Inter Cooler Ass'y

NO	PART	PART_NO	QTY	NO	PART	PART_NO	QTY
1	BUNDLE	A304412001-1	1	3	O-RING	49900388	1
2	GASKET	A304412001-2	1				

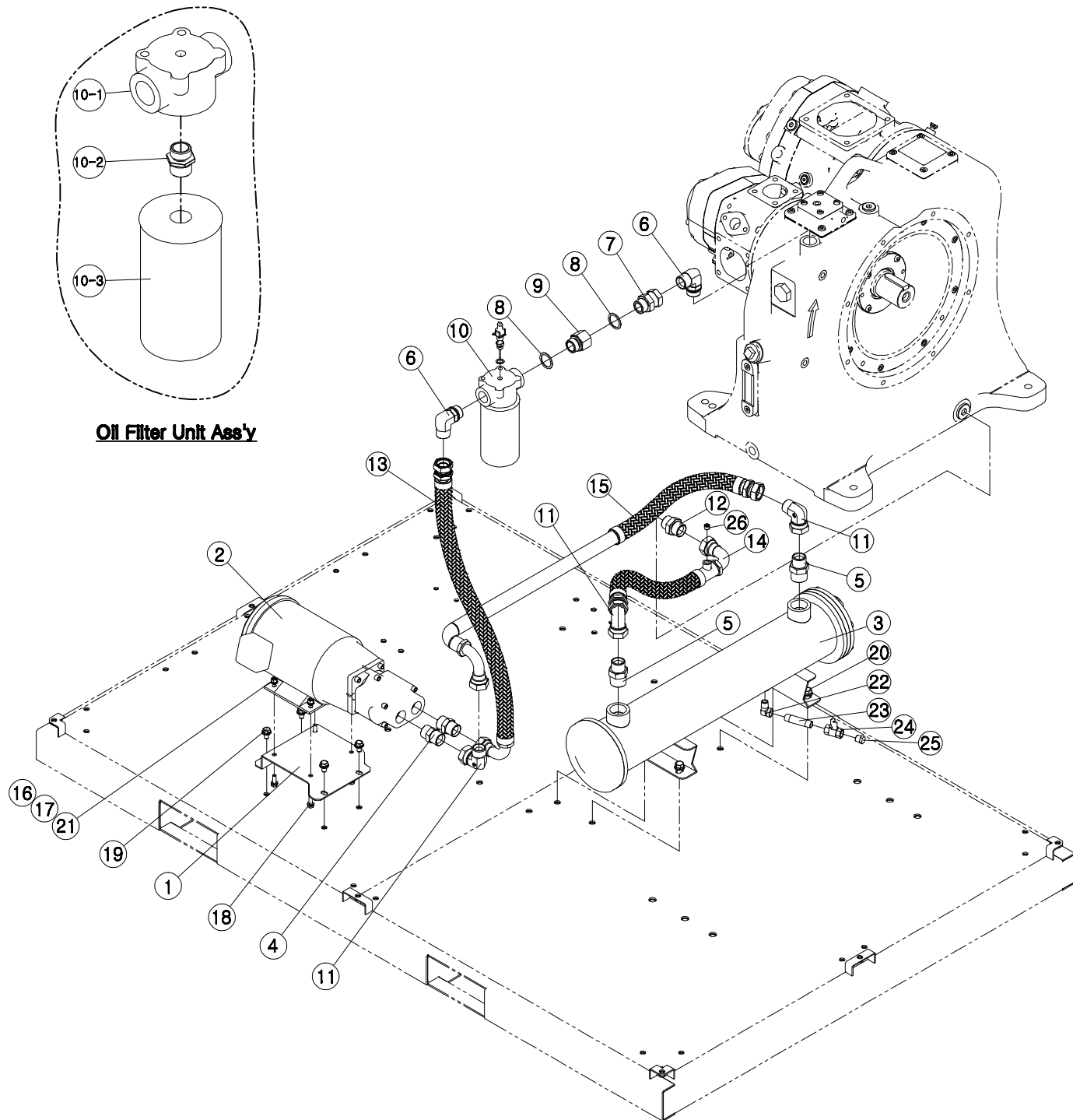
After Cooler Ass'y

NO	PART	PART_NO	QTY	NO	PART	PART_NO	QTY
1	BUNDLE	A304412002-1	1	2	GASKET	A304412002-2	1

Oil Cooler Ass'y

NO	PART	PART_NO	QTY	NO	PART	PART_NO	QTY
1	BUNDLE	A304412003-1	1	4	O-RING	49900389	1
2	CHANNEL COVER	A304412003-2	1	5	O-RING	4400G16140	2
3	REVERSING COVER	A304412003-3	1	6			

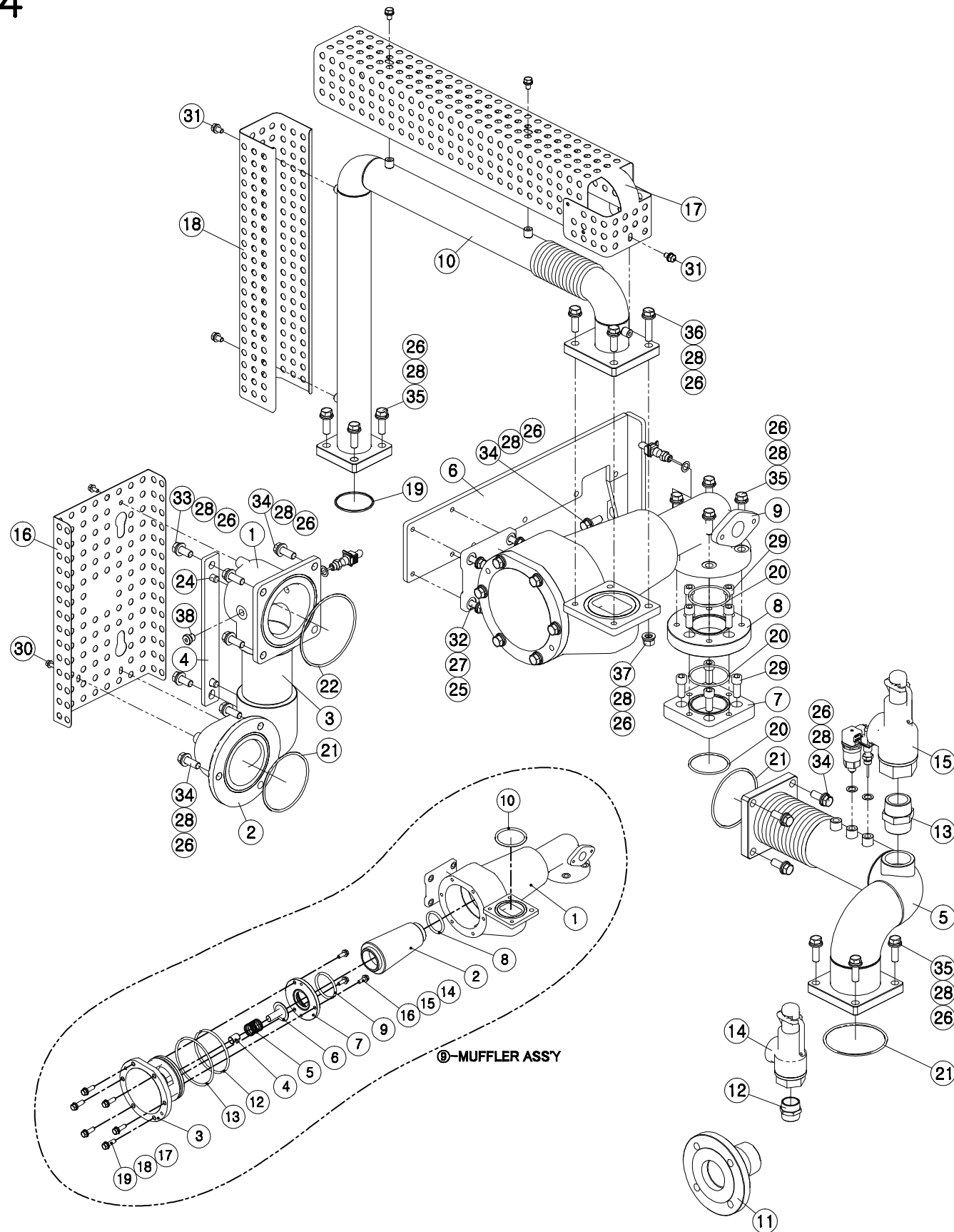
3



Oil Filter Unit Ass'y

NO	PART	PART_NO	QTY	NO	PART	PART_NO	QTY
1	BRACKET	A302413076	1	14	METAL HOSE	A317113009	1
2	OIL PUMP	A3210580511P	1	14	METAL HOSE	A317113009	1
3	OIL COOLER	A304412003	1	15	METAL HOSE	A317113010	1
4	MALE CONNECTOR	A31511005	2	16	WASHER-PLAIN	33030801	4
5	MALE CONNECTOR	A31511021	2	17	WASHER-SPRING	33140801	4
6	MALE ELBOW	A31572007	2	18	BOLT-SEMS HEX HEAD	31860825	4
7	SWIVEL ADAPTER	A31520004	1	19	BOLT-SEMS HEX HEAD	31861020	4
8	GASKET-COPPER	A31820003	2	20	BOLT-SEMS HEX HEAD	31861225	4
9	BUSHING	A31560013	1	21	NUT-HEX	32010802	4
10	OIL FILTER UNIT ASS'Y	A30941303	1	22	ELBOW	40110003	1
10-1	BODY ASS'Y	A30941304	1	23	NIPPLE	40304016	1
10-2	NIPPLE	55030006-1	1	24	VLAVE	41006004	1
10-3	OIL FILTER ELEMENT	73001079P	1	25	PLUG	40505002	1
12	MALE CONNECTOR	A31510011	1	26	SCREW-무두렌치	31030003	1
13	METAL HOSE	A317113011	1				

4



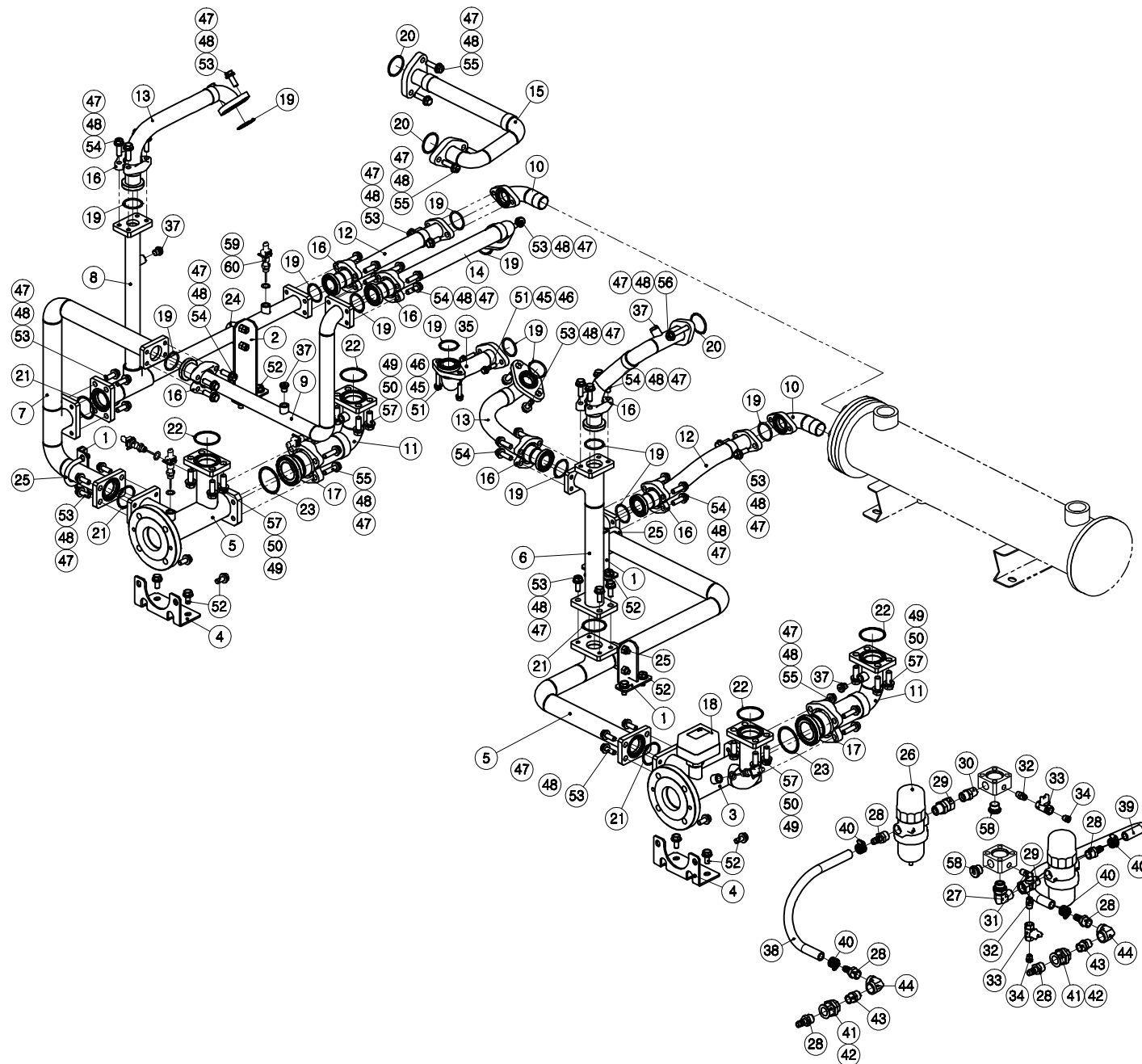
Air Line Ass'y

NO	PART	PART_NO	QTY	NO	PART	PART_NO	QTY
1	CONNECTION	A306413001	1	20	O-RING	44093070P	3
2	CONNECTION	A306413002	1	21	O-RING	44093110P	3
3	AIR LINE	A317213003	1	22	O-RING	44093135P	1
4	PLATE	A302413052	1	23	O-RING	49900073	2
5	AIR LINE	A317113001	1	24	PIN-DOWEL	34401224	2
6	SUPPORT	A302413056	1	25	WASHER-PLAIN	33031001	4
7	FLANGE	A306413003	1	26	WASHER-PLAIN	33031201	33
8	FLANGE	A306413004	1	27	WASHER-SPRING	33141001	4
9	MUFFLER ASS'Y	A32220002	1	28	WASHER-SPRING	33141201	33
10	AIR LINE	A317113002	1	29	BOLT-SOKET HEAD	30111230	8
11	AIR LINE	A317213010	1	30	BOLT-SEMS HEX HEAD	31860615	3
12	NIPPLE	40305006	1	31	BOLT-SEMS HEX HEAD	31860815	5
13	NIPPLE	40304050	1	32	BOLT-HEX HEAD	30031030	4
14	SAFETY VALVE	A31290017	1	33	BOLT-HEX HEAD	30031230	2
15	SAFETY VALVE	A31290019	1	34	BOLT-HEX HEAD	30031235	14
16	PROTECTOR	A302413053	1	35	BOLT-HEX HEAD	30031240	15
17	PROTECTOR	A302413054	1	36	BOLT-HEX HEAD	30031255	1
18	PROTECTOR	A302413055	1	37	NUT-HEX	32011202	1
19	O-RING	44093065P	1	38	PLUG	55441049P	1

Muffler Ass'y

NO	PART	PART_NO	QTY	NO	PART	PART_NO	QTY
1	HOUSING	A30641304	1	11	O-RING	44093095P	1
2	BRONZE SINTERED	A32220001	1	12	O-RING	44094140P	1
3	CHECK VALVE	A30641305	1	13	O-RING	44091362P	1
4	BUSH-DU	74106001	1	14	WASHER-PLAIN	3302A00100	3
5	SPRING	A30840007	1	15	WASHER-SPRING	3312A00100	3
6	CHECK VALVE	A31260006	1	16	BOLT HEX-HD	3001A10030	3
7	CHECK VALVE SEAT	A31260007	1	17	WASHER-PLAIN	3302A00120	6
8	O-RING	44094065P	1	18	WASHER-SPRING	3312A00120	6
9	O-RING	44094080P	1	19	BOLT HEX-HD	3001D12040	6
10	O-RING	44094090P	1				

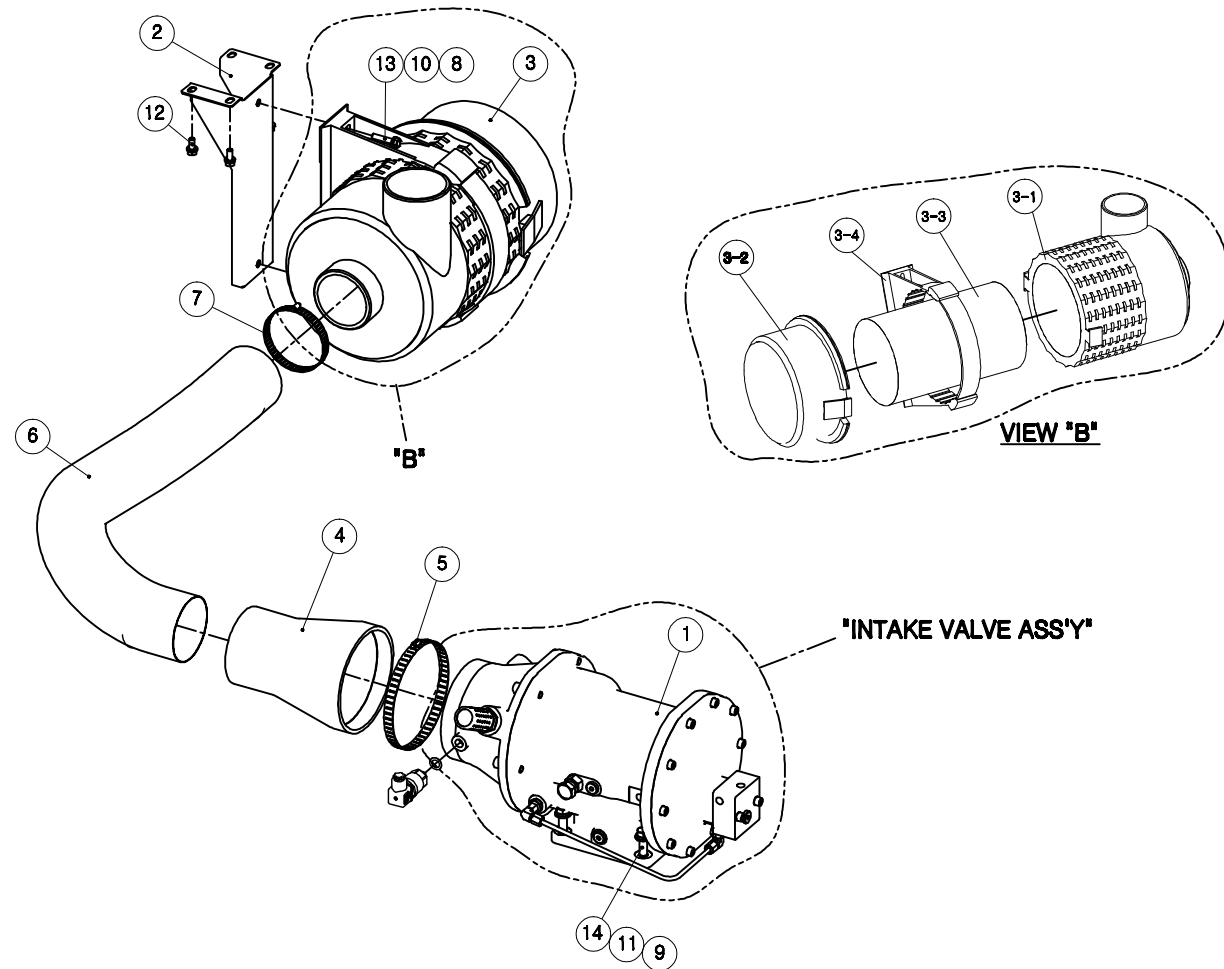
6



NO	PART	PART_NO	QTY	NO	PART	PART_NO	QTY
1	BRACKET	A302413050	3	32	ELBOW	40110002	1
2	BRACKET	A302413051	1	33	NIPPLE	40305002	2
3	PIPE	A317213001	1	34	VALVE	41006002	2
4	BRACKET	A302413049	2	35	PLUG	40505001	2
5	PIPE	A317213002	1	36	BELLOWS	A317113031	1
6	WATER LINE	A317213004	1	37	METAL HOSE	A317113033	1
7	WATER LINE	A317213005	1	38	PLUG	55441049P	4
8	WATER LINE	A317213006	1	39	HYDRAULIC HOSE	A31612001	1
9	WATER LINE	A317213007	1	40	HYDRAULIC HOSE	A31612001	1
10	WATER LINE	A317213008	1	41	HOSE BAND	92602004	4
11	CONNECTOR	A317213009	2	42	SOCKET	A315600001	2
12	METAL HOSE	A317113003	2	43	NUT	A302419063	2
13	METAL HOSE	A317113004	2	44	NIPPLE	40305004	2
14	METAL HOSE	A317113005	2	45	ELBOW	40109004	2
15	METAL HOSE	A317113006	1	46	WASHER-PLAIN M8	33030801	4
16	METAL HOSE	A317113007	1	47	WASHER-SPRING M8	33140801	4
17	FLANGE-SPLITTER	A31720123	7	48	WASHER-PLAIN M10	33031001	68
18	FLANGE-SPLITTER	A31720028	2	49	WASHER-SPRING M10	33141001	68
19	WATER FLOW SWITCH	A31120005	1	50	WASHER-PLAIN M12	33031201	16
20	O-RING	44093040P	13	51	WASHER-SPRING M12	33141201	16
21	O-RING	44093045P	2	52	BOLT-HEX HEAD	30010835	4
22	O-RING	44093050P	4	53	BOLT-SEMS HEX HEAD	31861025	12
23	O-RING	44093055P	4	54	BOLT-HEX HEAD	30031030	26
24	O-RING	44093060P	2	55	BOLT-HEX HEAD	30031035	28
25	U-BOLT	30502004	1	56	BOLT-HEX HEAD	30031040	12
26	U-BOLT	30502005	3	57	BOLT-HEX HEAD	30031070	2
27	AUTO DRAIN TRAP	A303413020P	2	58	BOLT-HEX HEAD	30031235	16
28	MALE ELBOW	A31572003	1	59	PLUG	55441051P	2
29	NIPPLE	40308018	6	60	GASKET	A31820008	5
30	SWIVEL ADAPTER	A31520030	2	61	TEMP. SENSOR	A31440051P	5
31	MALE CONNECTOR	A31511003	1				

Intake v/v & Air Cleaner

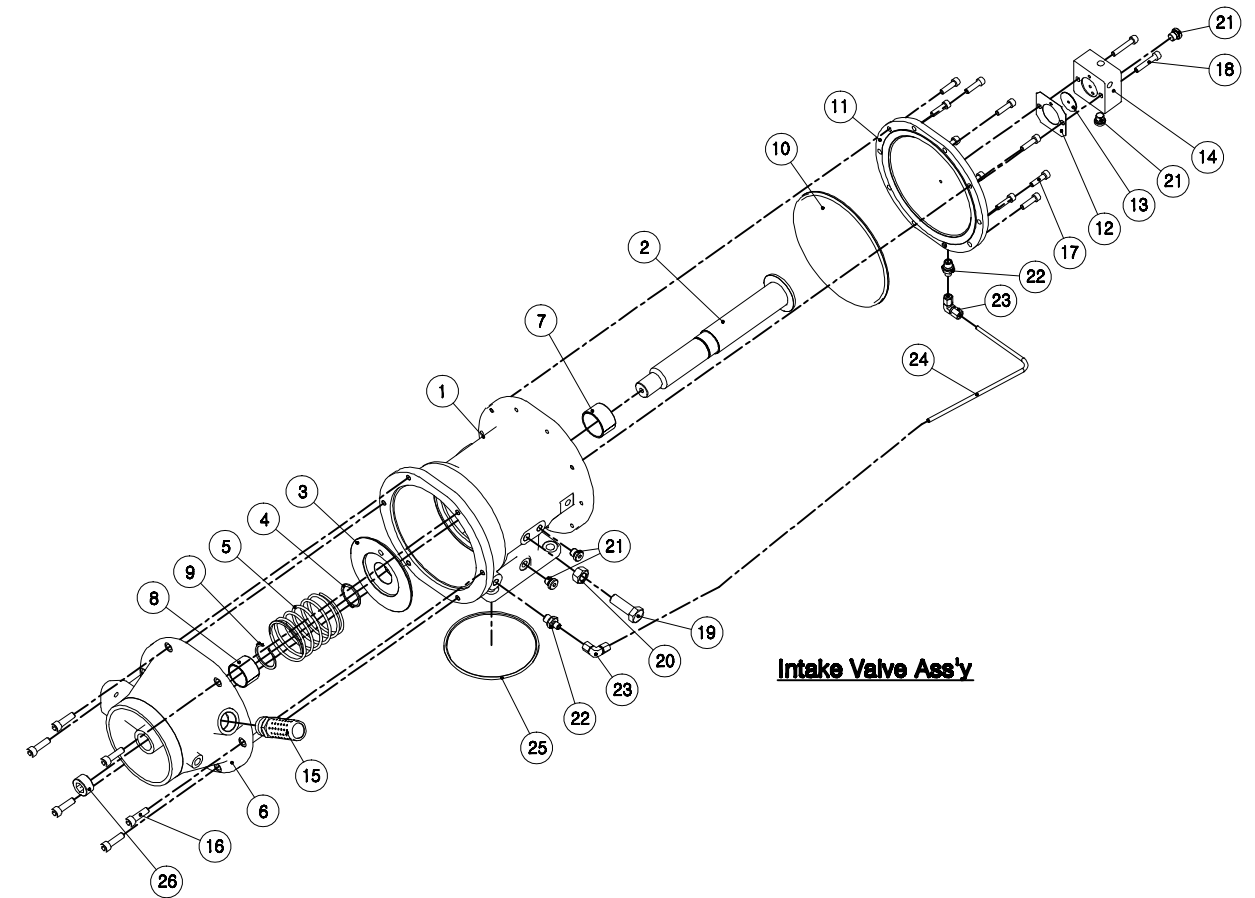
5



Intake Valve & Air Cleaner Ass'y

NO	PART	PART_NO	QTY	NO	PART	PART_NO	QTY
1	INTAKE VALVE ASS'Y	A312213007	1	6	AIR HOSE	A31630012	1
2	BRACKET	A302413031	1	7	HOSE BAND	92602014	1
3	AIR CLEANER ASS'Y	A31031201P	1	8	WASHER-PLAIN	33030801	2
3-1	AIR CLEANER HOUSING	A31031201P-1	1	9	WASHER-SPRING	33031201	4
3-2	AIR CLEANER COVER	A31031201P-2	1	10	WASHER-SPRING	33140801	2
3-3	AIR FILTER ELEMENT	A31031203P	1	11	BOLT-HEX HEAD	33141201	4
3-4	AIR CLEANER BRACKET	A31031202P	1	12	BOLT-SEMS HEX HEAD	31860820	4
4	CINNECTION	A31041301	1	13	BOLT-HEX HEAD	30010840	2
5	HOSE BAND	92602018	1	14	BOLT-HEX HEAD	30031235	4

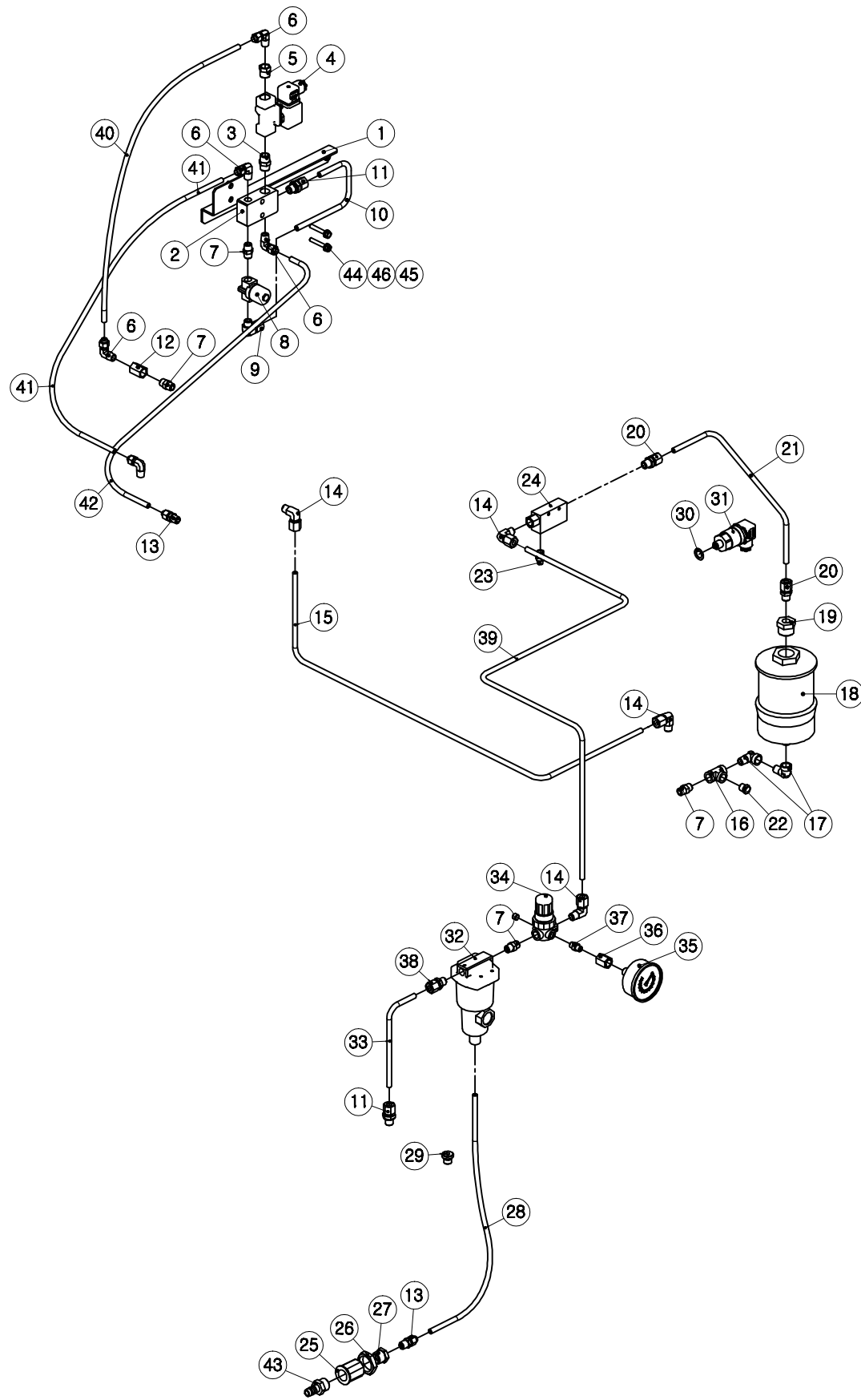
Intake v/v & Air Cleaner



Intake Valve Ass'y

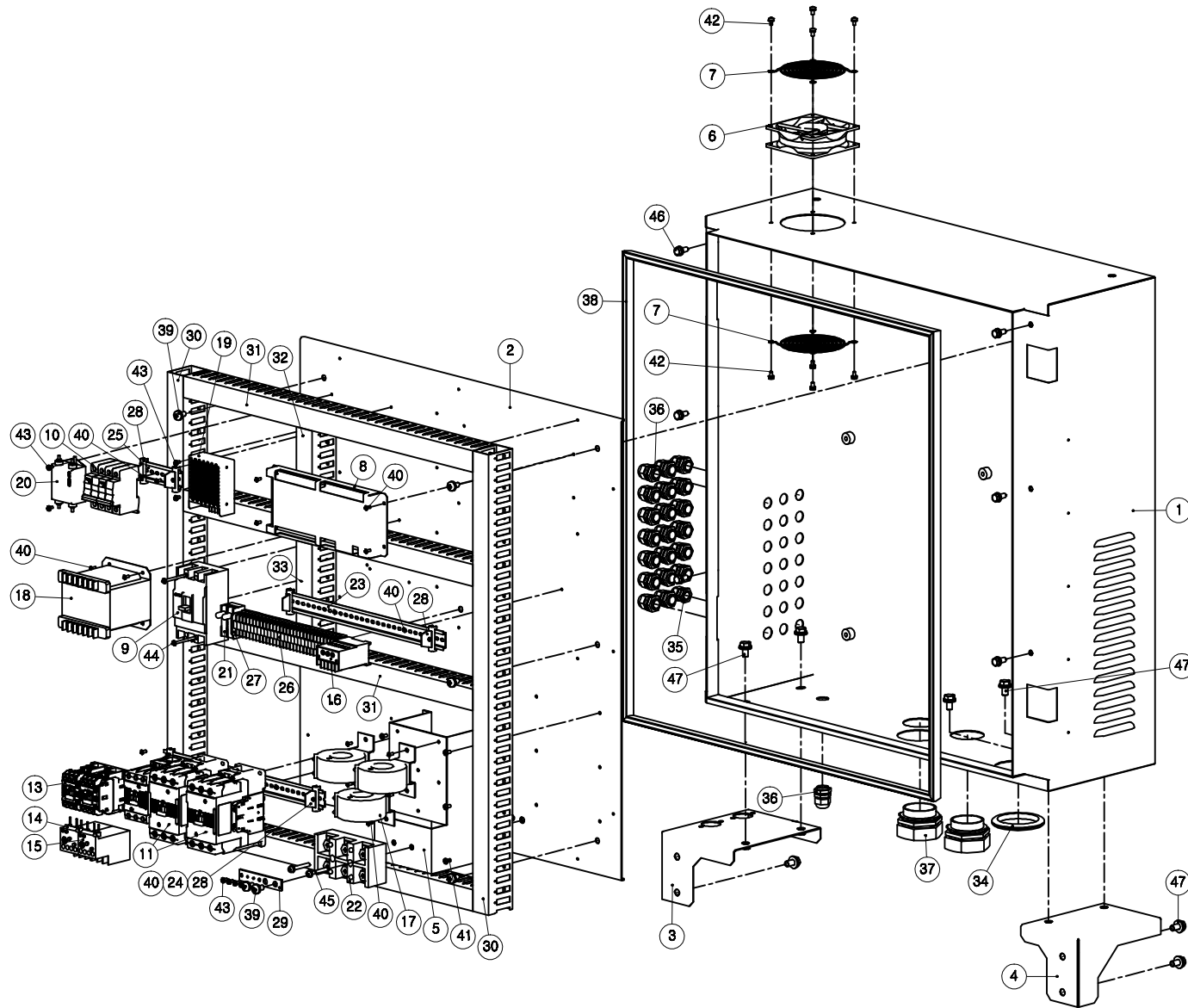
NO	PART	PART_NO	QTY	비고	NO	PART	PART_NO	QTY	비고
1	HOUSING	A312213002	1		14	CONTROL BLOCK	A312200007	1	
2	SHAFT	A312213004	1		15	SILENCER	A322100001	1	
3	CHECK VALVE	A31260005	1		16	BOLT-SOCKET HEAD	3011G10035	6	
4	RETAINER RING	36201040	1		17	BOLT-SOCKET HEAD	3011G08030	10	
5	SPRING	A308400006	1		18	BOLT-SOCKET HEAD	3011G08045	2	
6	CONNECTION	A31220032	1		19	BOLT-HEX HEAD	3001A16050	1	
7	BUSH-DU	74106003	1		20	NUT-HEX	3202A01160	1	
8	BUSH-DU	74106002	1		21	PLUG	55441049P	4	
9	RETAINER RING	A319603048	1		22	MALE CONNECTOR	42302104	2	
10	DIAPHRAGM	A308600001	1		23	ELBOW	42101201	2	
11	COVER	A312213003	1		24	CONTROL LINE	A317313007	1	
12	GASKET	A31830036	1		25	O-RING	44091258P	1	
13	MEMBRANE	A30860002	1		26	PLUG	40506005	1	

7



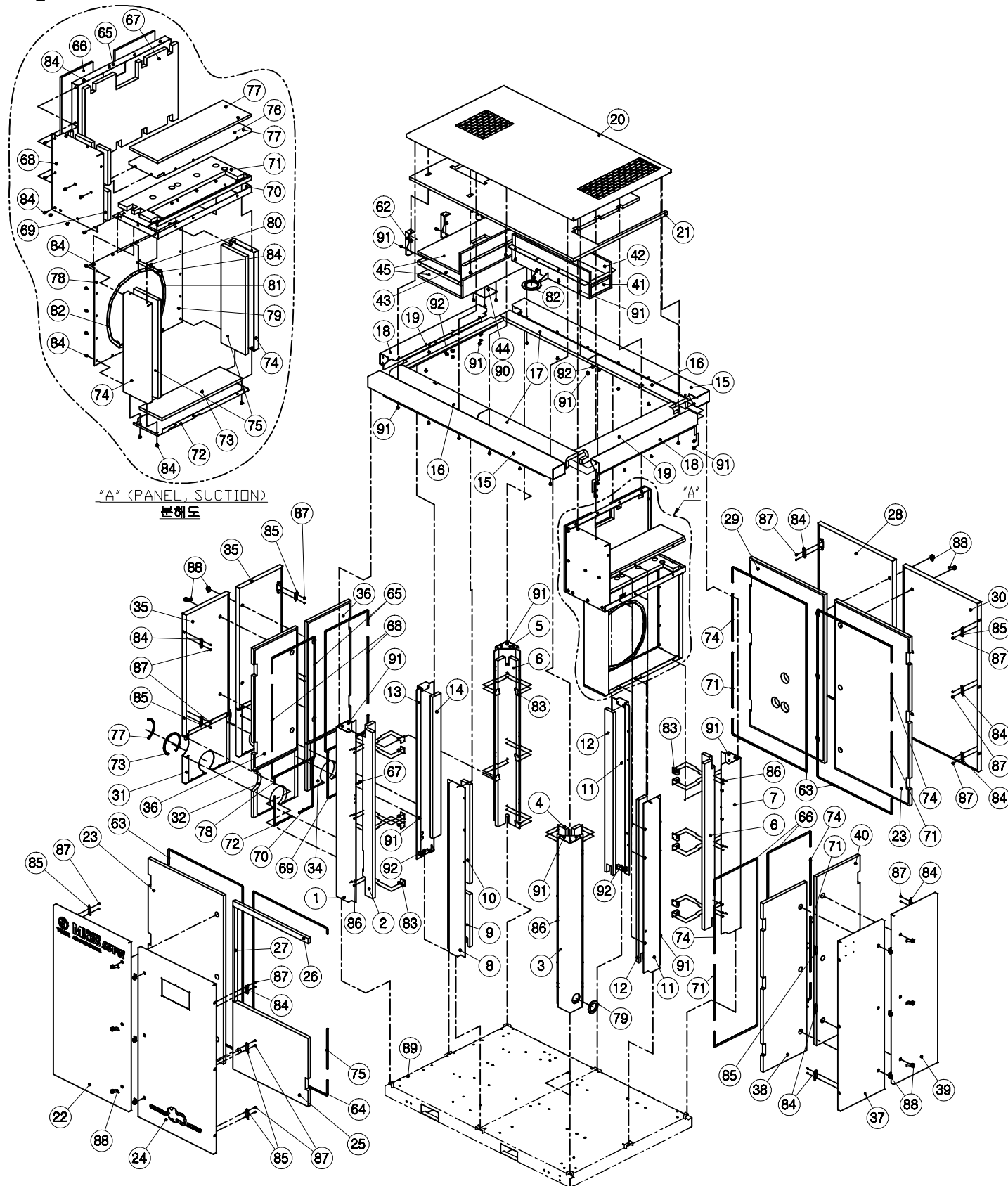
NO	PART	PART_NO	QTY	NO	PART	PART_NO	QTY
1	BRACKET	A302413139	1	25	SOCKET	A315600001	1
2	BLOCK	A312000009	1	26	NUT	A302419063	1
3	NIPPLE	40305003	1	27	BUSHING	40604021	1
4	SOL.VALVE	A31230008P	1	28	NYLON TUBE	A316200002	1
5	BUSHING	40604027	1	29	PLUG	55441049P	1
6	ELBOW	40118004	5	30	GASKET	A31820008	1
7	NIPPLE	40305002	4	31	PRESSURE SENSOR	A31440021P	1
8	SOL.VALVE	A312300002	1	32	WATER SEPARATOR	A303413021P	1
9	ELBOW	A315311302	1	33	CONTROL LINE	A317313035	1
10	CONTROL LINE	A317313027	1	34	REGULATOR	45000013P	1
11	MALE CONNECTOR	A315311104	2	35	PRESSURE GAUGE	A31110001P	1
12	SOCKET	40404001	1	36	SOCKET	40404009	1
13	NIPPLE	40314004	2	37	NIPPLE	40305001	1
14	ELBOW	A315311302	4	38	MALE CONNECTOR	A315311204	1
15	CONTROL LINE	A317313009	1	39	CONTROL LINE	A317313036	1
16	TEE	40210002	1	40	NYLON TUBE	A316200002	1
17	ELBOW	40110002	2	41	NYLON TUBE	A316200002	1
18	OIL MISTER	A30941302P	1	42	NYLON TUBE	A316200002	1
19	BUSHING	40604025	1	43	NIPPLE	40308018	1
20	MALE CONNECTOR	A315311204	2	44	BOLT, HEX	30030640	2
21	CONTROL LINE	A317313019	1	45	WASHER-PLAIN M6	33030601	2
22	PLUG	40505001	1	46	WASHER-SPRING M6	33140601	2
23	NIPPLE	40305012	1	47	PLUG	40506008	1
24	EJECTOR	A31680003	1				

8



NO	PART	PART_NO	QTY	NO	PART	PART_NO	QTY
1	CONTROL BOX	A302413001	1	25	DIN RAIL	A31350024	1
2	BACK PLATE	A302413002	1	26	TERMINAL BLOCK	A31350002	30
3	BRACKET	A302413044	1	27	SEPARATOR	A31350031	2
4	BRACKET	A302413045	1	28	TERMINAL STOPPER	A31350030	6
5	CT&TB BRACKET	A30241305	1	29	EARTH BAR	A31490007	1
6	FAN	A31390030	1	30	PVC DUCT	A31420054	2
7	FINGER GUARD	A31390031	2	31	PVC DUCT	A31420054	4
8	CONTROLLER	A31320080	1	32	PVC DUCT	A31420054	1
9	MCCB	A31341022	1	33	PVC DUCT	A31420054	1
10	MCCB	A31340007	2	34	RUBBER STOPPER	A31490030	1
11	MAG.CONTACTOR	A31310011	2	35	CABLE GRAND	A30420003	1
12	MAG.CONTACTOR	A31310008	1	36	CABLE GRAND	A31420004	21
13	MAG.CONTACTOR	A31310001	2	37	FLEXIBLE CONNECTOR	A31420030	2
14	THERMAL RELAY	A31330039	1	38	RUBBER SEAL	A30840001P	1
15	THERMAL RELAY	A31330045	1	39	SCREW-SEMS 둥근머리(+)	31710816	9
16	EOCR	A31430015	1	40	SCREW-둥근머리(+)	31110410	44
17	CT	A31430041	3	41	SCREW-둥근머리(+)	31110510	6
18	TRANSFORMER	A31360209	1	42	SCREW-SEMS 둥근머리(+)	31710510	8
19	POWER SUPPLY	A31390011	1	43	SCREW-SEMS 둥근머리(+)	31710410	8
20	NOISE FILTER	A31360101	1	44	SCREW-SEMS 둥근머리(+)	31710420	2
21	FUSE HOLDER	A31340004	1	45	SCREW-SEMS 둥근머리(+)	31710645	2
22	TERMINAL BLOCK	A31350019	1	46	BOLT-SEMS HEX HEAD	31860820	6
23	DIN RAIL	A31350024	1	47	BOLT-SEMS HEX HEAD	31861020	8
24	DIN RAIL	A31350024	1				

9



NO	PART	PART_NO	QTY	NO	PART	PART_NO	QTY
1	SIDE POST	A302413012	1	47	SOUND ABSORBENT	A305413025	1
2	SOUND ABSORBENT	A305413001	1	48	SOUND ABSORBENT	A305413026	1
3	SIDE POST	A302413013	1	49	PANEL	A302413035	1
4	SOUND ABSORBENT	A305413002	1	50	SOUND ABSORBENT	A305413027	1
5	SIDE POST	A302413014	1	51	PANEL	A302413036	1
6	SOUND ABSORBENT	A305413003	2	52	SOUND ABSORBNET	A305413028	1
7	SIDE POST	A302413015	1	53	PANEL	A302413037	1
8	MIDDLE POST	A302413016	1	54	SOUND ABSORBENT	A305413029	1
9	SOUND ABSORBENT	A305413004	1	55	BRACKET	A302413038	2
10	SOUND ABSORBENT	A305413005	1	56	SOUND ABSORBENT	A305413030	2
11	MIDDLE POST	A302413017	2	57	BAFFLE	A302413048	1
12	SOUND ABSORBENT	A305413006	2	58	SOUND ABSORBENT	A305413031	2
13	MIDDLE POST	A302413144	1	59	COVER	A302413039	1
14	SOUND ABSORBENT	A305413085	1	60	COVER	A302413040	1
15	UPPER FRAME	A302413018	2	61	BRACKET	A302413057	1
16	SOUND ABSORBENT	A305413007	2	62	BRACKET	A302413071	3
17	SOUND ABSORBENT	A305413008	2	63	RUBBER SEAL	A30840009	3
18	UPPER FRAME	A302413019	2	64	RUBBER SEAL	A30840009	1
19	SOUND ABSORBENT	A305413009	2	65	RUBBER SEAL	A30840009	2
20	TOP COVER	A302413089	1	66	RUBBER SEAL	A30840009	2
21	SOUND ABSORBENT	A305413034	1	67	RUBBER SEAL	A30840009	1
22	FRONT COVER	A302412001	1	68	RUBBER SEAL	A30840009	2
23	SOUND ABSORBENT	A305413011	2	69	RUBBER SEAL	A30840009	1
24	FRONT COVER	A302413109	1	70	RUBBER SEAL	A30840009	1
25	SOUND ABSORBENT	A305413012	1	71	RUBBER SEAL	A30840009	5
26	SOUND ABSORBENT	A305413013	1	72	RUBBER SEAL	A30840009	1
27	SOUND ABSORBENT	A305413014	1	73	RUBBER SEAL	A30840009	2
28	REAR COVER	A302413023	1	74	RUBBER SEAL	A30840009	5
29	SOUND ABSORBENT	A305413015	1	75	RUBBER SEAL	A30840009	1
30	REAR COVER	A302413024	1	76	RUBBER SEAL	A30840009	1
31	SIDE COVER	A302413025	1	77	RUBBER SEAL	A30840009	1
32	SOUND ABSORBENT	A305413016	1	78	RUBBER SEAL	A30840009	1
33	SIDE COVER	A302413026	1	79	RUBBER SEAL	A30840009	1
34	SOUND ABSORBENT	A305413017	1	80	RUBBER SEAL	A30840001P	1
35	SIDE COVER	A302413027	2	81	RUBBER SEAL	A30840001P	1
36	SOUND ABSORBENT	A305413018	2	82	RUBBER SEAL	A30840001P	1
37	SIDE COVER	A302413028	1	83	BRACKET	A320200006	22
38	SOUND ABSORBENT	A305413019	1	84	HINGE	A320200003	11
39	SIDE COVER	A302413029	1	85	HINGE	A320200004	11
40	SOUND ABSORBENT	A305413020	1	86	BOLT-FLANGE	30220610	44
41	SUCTION	A302413030	1	87	NUT-LOCK	32110502	44
42	SOUND ABSORBENT	A305413021	1	88	DOOR LOCK	A32010003P	22
43	BAFFLE	A302413070	1	89	BOLT-SOCKET HEAD	30110612	4
44	PLATE	A302413072	1	90	BOLT-SEMS HEX HEAD	31860615	4
45	SOUND ABSORBENT	A305413035	2	91	BOLT-SMES HEX HEAD	31860815	123
46	PANEL	A302413034	1	92	BOLT-SMES HEX HEAD	31861020	32