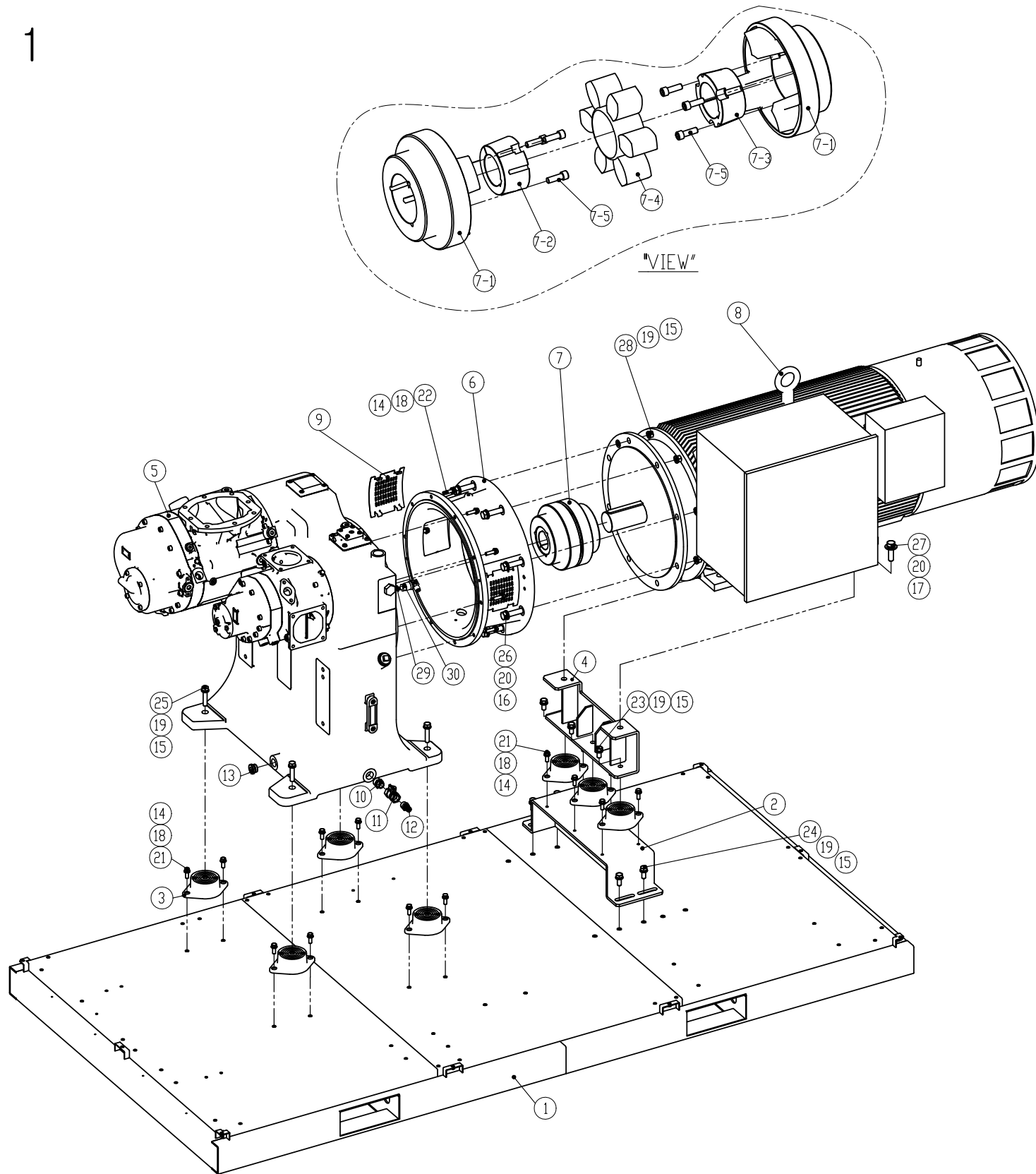


Power Train

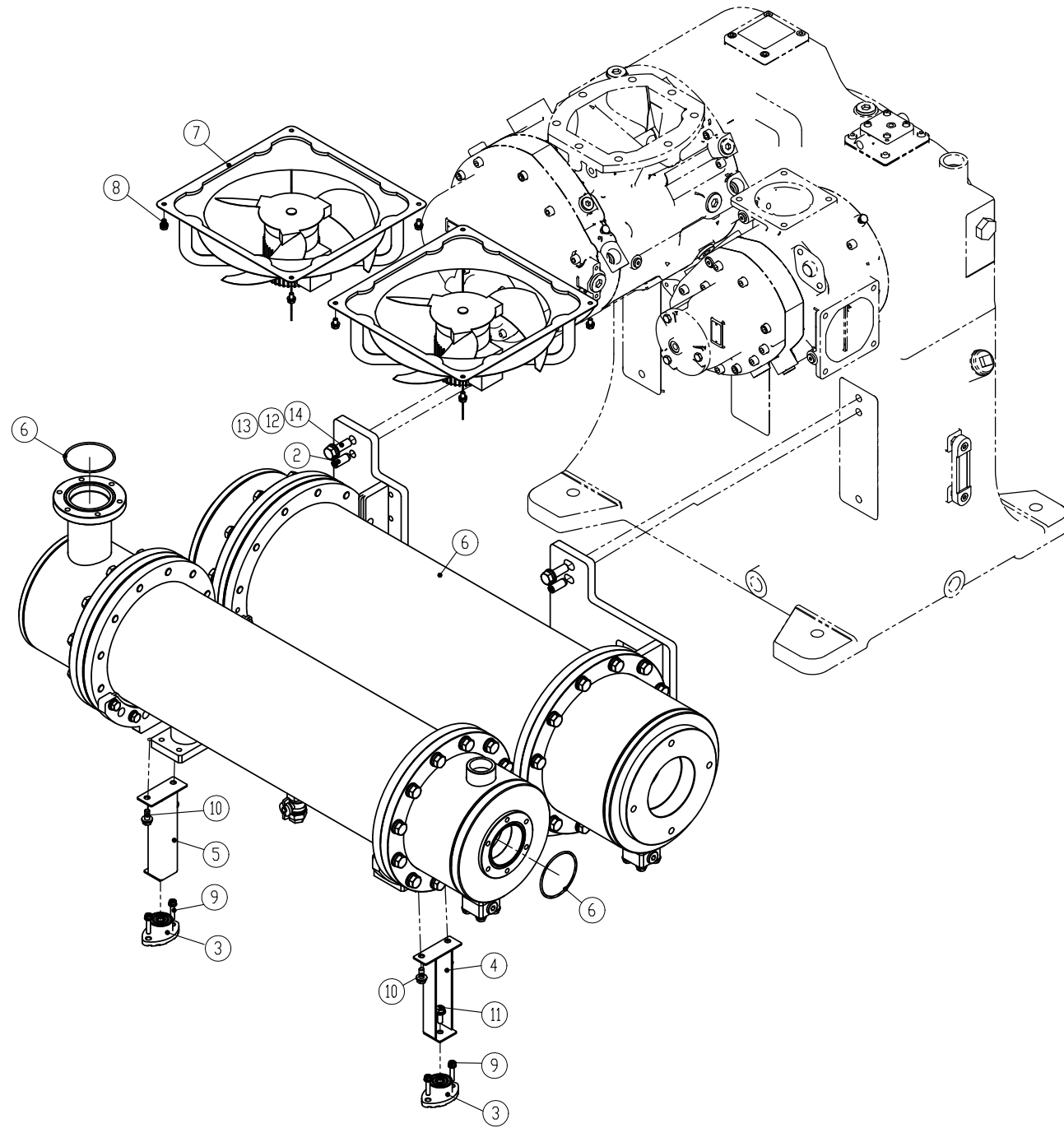
1



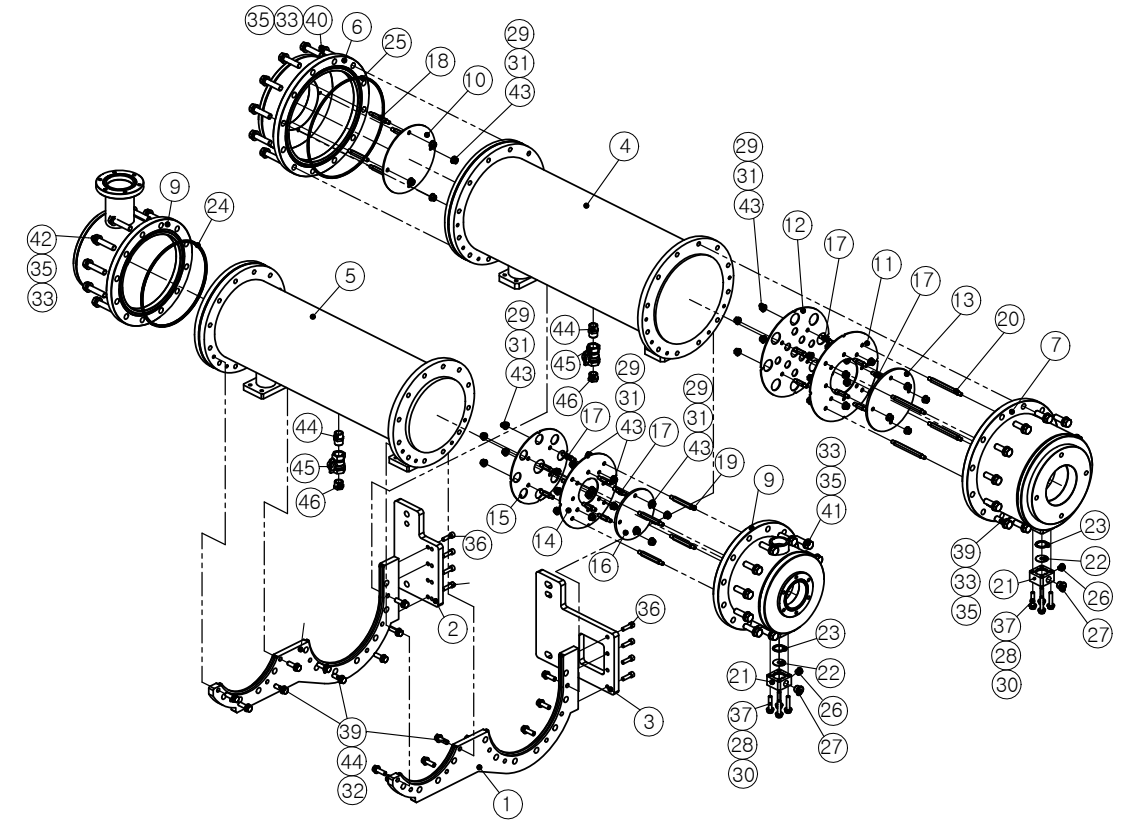
NO	PART	PART_NO	QTY	NO	PART	PART_NO	QTY
1	BASE(WATER)	A302419011	1	14	WASHER-PLAIN M12	33031201	24
2	SUPPORT, MOTOR 1	A302419042	1	15	WASHER-PLAIN M16	33031601	19
3	MOUNTING RUBBER	A30810003	7	16	WASHER-PLAIN	33032001	8
4	SUPPORT, MOTOR 2	A302417012	1	17	WASHER-PLAIN	A31930001	2
5	YDF-79 GEAR CASE UNIT	A10939106	1	18	WASHER-SPRING M12	33141201	24
6	COUPLING HOUSING	A306416001	1	19	WASHER-SPRING M16	33141601	19
7	COUPLING ASS'Y	A306416002P	1	20	WASHER-SPRING	33142001	10
7-1	FLANGE	A30631624P	2	21	BOLT-HEX HD	30011235	14
7-2	BUSH	A30631517P	1	22	BOLT-HEX HD	30031245	10
7-3	BUSH	A306319002P	1	23	BOLT-HEX HD	30031635	3
7-4	SPIDER	A30631625P	1	24	BOLT-HEX HD	30031640	4
7-5	SOCKET BOLT	-	6	25	BOLT-HEX HD	30031675	4
8	MAIN MOTOR-200kW/60Hz	A30126699001	1	26	BOLT-HEX HD	30032080	8
9	PROTECTOR, COUPLING HOUSING	A302419057	2	27	BOLT-HEX HD	30032070	2
10	NIPPLE-황동이경 3/4x1	40305017	1	28	NUT-HEX	32011602	8
11	BALL VALVE	41001004	1	29	GASKET-COPPER	A31820008	1
12	NIPPLE-황동HOSS	40308022	1	30	PRESSURE SENSER	A31440021P	1
13	PLUG-SEALED	55441053P	1				

Cooling System

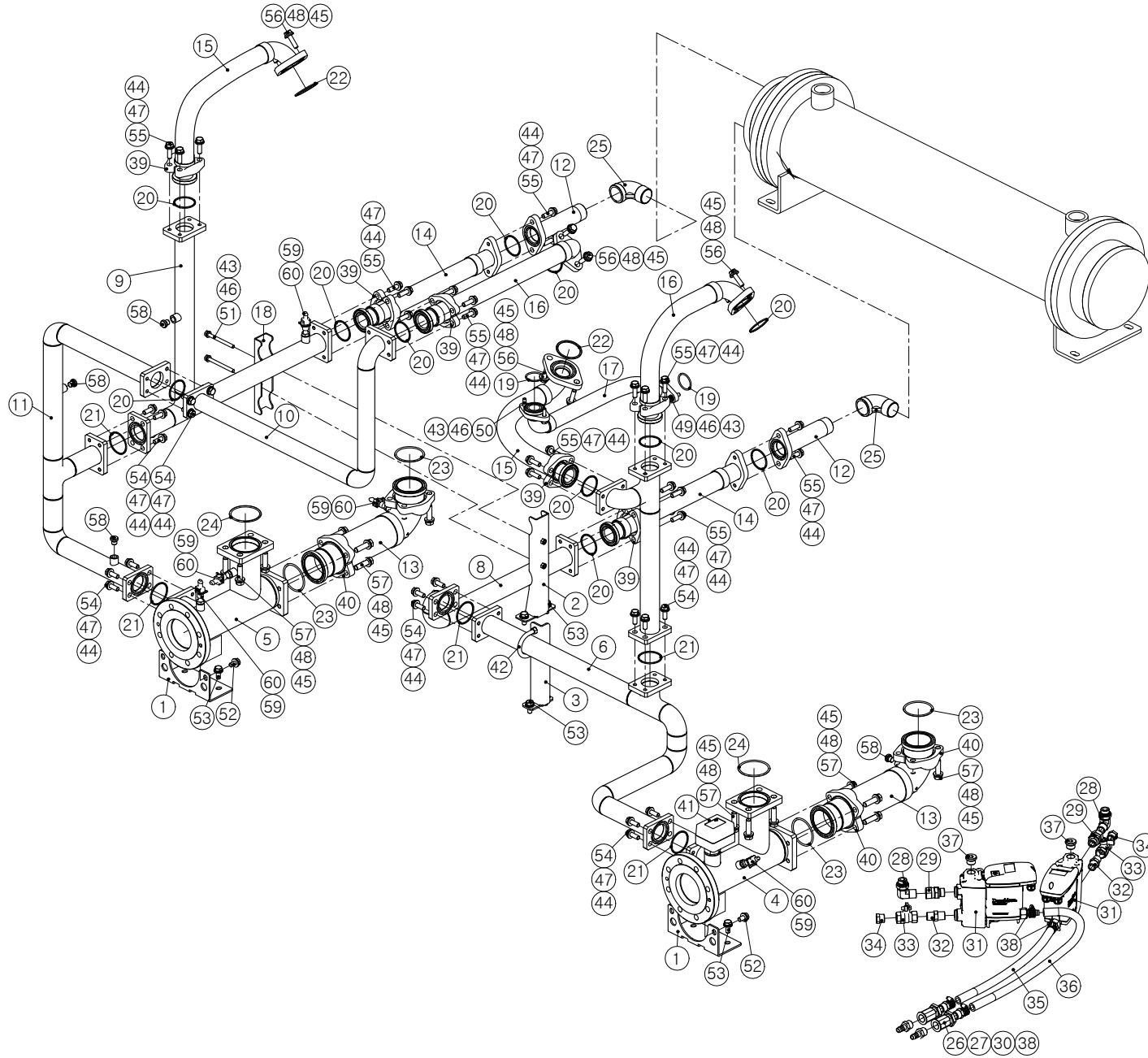
2



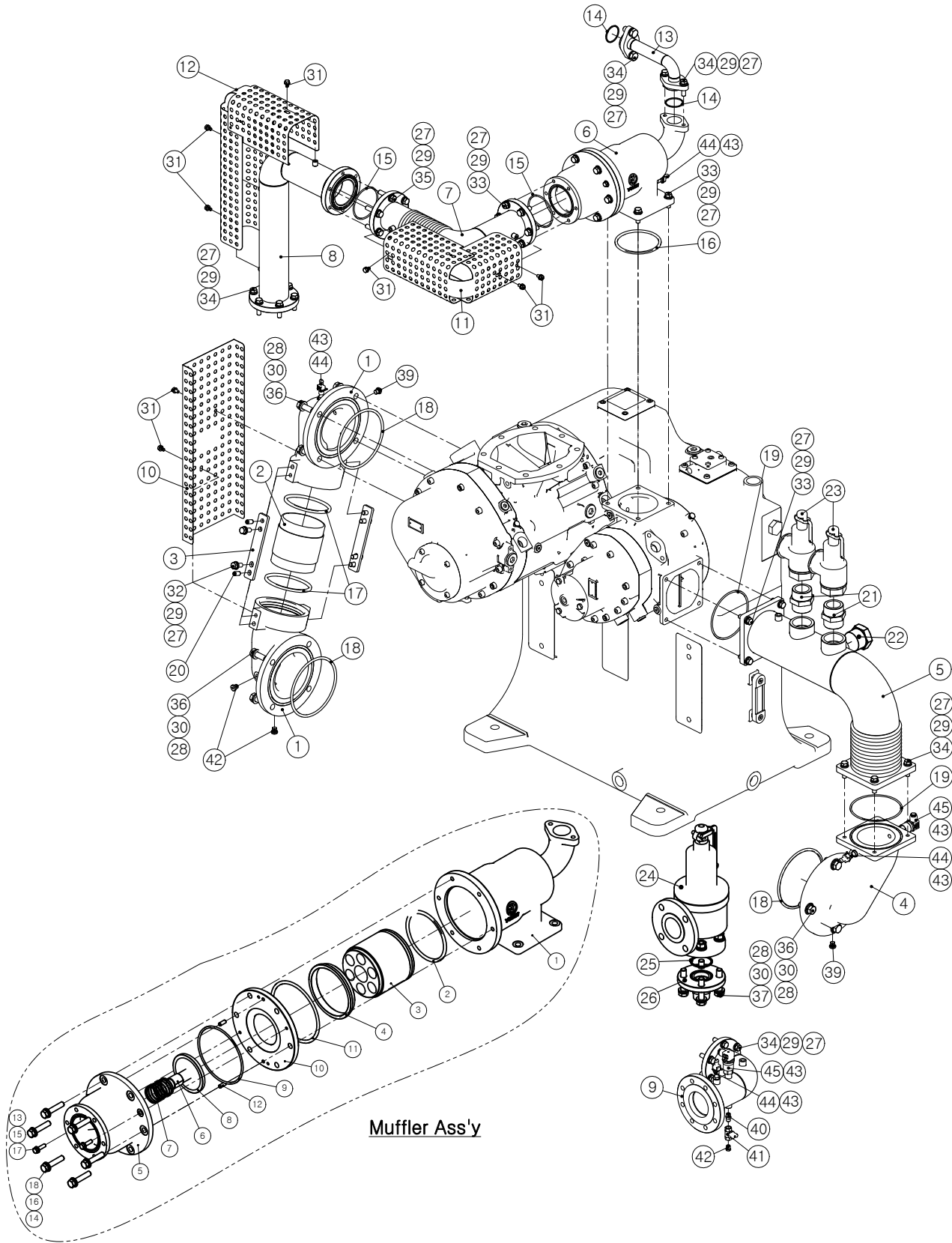
NO	PART	PART_NO	QTY	NO	PART	PART_NO	QTY
1	COOLER ASS'Y(INTER&AFTER)	A304418001	1	8	BOLT-SEMS HEX HEAD	31860815	8
2	PIN-DOWEL	34401640	2	9	BOLT-SEMS HEX HEAD	31860830	4
3	MOUNTING RUBBER	A30810002	2	10	BOLT-SEMS HEX HEAD	31861025	4
4	SUPPORT, COOLER ASS'Y(FRONT)	A302418018	1	11	BOLT-SEMS HEX HEAD	31861030	2
5	SUPPORT, COLLER ASS'Y(REAR)	A302418019	1	12	WASHER-PLAIN M16	33031601	4
6	O-RING	44093100P	2	13	WASHER-SPRING M16	33141601	4
7	SMALL PROPELLER FAN(L.G.A)	A30431619	2	14	BOLT-HEX.HD	30031650	4



NO	PART	PART_NO	QTY	NO	PART	PART_NO	QTY
1	SUPPORT	A304418004	2	24	O-RING	49900215	1
2	PLATE	A304419007	1	25	O-RING	44091382P	1
3	PLATE	A304419008	1	26	PLUG-SEALED	55441049P	2
4	INTER COOLER	A304418002	1	27	PLUG-SEALED	55441051P	2
5	AFTER COOLER	A304418003	1	28	WASHER-PLAIN M10	33031001	8
6	CONNECTION, INTER COOLER	A303418001	1	29	WASHER-PLAIN M10	33051001	44
7	WATER SEP. HOUSING(LP)	A303418002	1	30	WASHER-SPRING M10	33141001	8
8	CONNECTION, AFTER COOLER	A303418003	1	31	WASHER-SPRING M10	33121001	44
9	WATER SEP. HOUSING(HP)	A303418004	1	32	WASHER-PLAIN M12	33031201	18
10	PLATE, BAFFLE(INTER COOLER)	A303419007	1	33	WASHER-PLAIN M16	33031601	48
11	PLATE,WATER SEP(INTER) 1	A303418005	1	34	WASHER-SPRING M12	33141201	18
12	PLATE,WATER SEP(INTER) 2	A303418006	1	35	WASHER-SPRING M16	33141601	48
13	PLATE,WATER SEP(INTER) 3	A303419010	1	36	BOLT-SOCKED HD.	30141035	8
14	PLATE,WATER SEP(AFTER) 1A	A303418007	1	37	BOLT HEX-HD.	30031050	8
15	PLATE,WATER SEP(AFTER) 2	A303418008	1	38	BOLT-HEX HD	30031240	18
16	PLATE,WATER SEP(AFTER) 3	A303419014	1	39	BOLT-HEX.HD	30031650	12
17	DISTANCE BAR M10	A303419015	16	40	BOLT-HEX HD	30031670	12
18	DISTANCE BAR M10	A303419016	4	41	BOLT-HEX HD	30031655	12
19	DISTANCE BAR M10	A303419017	4	42	BOLT-HEX HD	30031675	12
20	DISTANCE BAR M10	A303419018	4	43	NUT-HEX	32041002	44
21	BLOCK, WATER DRAIN	A303413007	2	44	NIPPLE-황동	40305005	2
22	PLATE, WATER DRAIN	A303413008	2	45	VALVE-황동 볼 3/4"	41006006	2
23	O-RING	44093035P	2	46	PLUG-황동6각 3/4	40505004	2



NO	PART	PART_NO	QTY	NO	PART	PART_NO	QTY
1	BRACKET, WATER LINE	A302419061	2	31	CONDENSATE DRAIN	A30341307P	2
2	BRACKET, WATER PIPE 1(40A)	A302419053	1	32	NIPPLE-강제 1/2	40303004	2
3	BRACKET, WATER PIPE 2(40A)	A302419054	1	33	VALVE-황동 볼 1/2"(나비핸들)	41006003	2
4	PIPE, WATER LINE-IN	A317219005	1	34	PLUG-황동6각 1/2	40505003	2
5	PIPE, WATER LINE-OUT	A317219006	1	35	HYDRAULIC-MEDIUM PRESS. HOSE	A31612001	1
6	PIPE, WATER LINE-IN(A/E&O.C. 40A)	A317219007	1	36	HYDRAULIC-MEDIUM PRESS. HOSE	A31612001	1
7	PIPE, WATER LINE-IN(A/E, 40A)	A317219008	1	37	PLUG-SEALED	55441051P	2
8	PIPE, WATER LINE-IN(O.C, 40A)	A317219009	1	38	HOSE BEND-SCREW 16~25	92602004	4
9	PIPE, WATER LINE-OUT(A/E(LP),O.C.40A)	A317219010	1	39	FLANGE-SPLITTER	A31720205	6
10	PIPE, WATER LINE-OUT(A/E(HP))	A317219011	1	40	FLANGE-SPLITTER	A31720080	4
11	PIPE, WATER LINE-OUT(A/E(HP),O.C.40A)	A317119012	1	41	WATER FLOW SWITCH(일화콘트롤)	A31120006	1
12	PIPE, WATER LINE-IN&OUT(O.C, 32A)	A317219013	2	42	U-BOLT	30502006	1
13	METAL HOSE, WATER IN&OUT(65A, I.C)	A317119007	2	43	WASHER-PLAIN M8	33030801	7
14	METAL HOSE, WATER LINE(O/C, 32A)	A317219008	2	44	WASHER-PLAIN M10	33031001	52
15	METAL HOSE, WATER LINE(A/E(LP)IN,OUT)	A317119009	2	45	WASHER-PLAIN M12	33031201	32
16	METAL HOSE, WATER LINE(A/E(HP)IN,OUT)	A317119010	2	46	WASHER-SPRING M8	33140801	6
17	METAL HOSE, OIL LINE(GEAR CASE)	A317119015	1	47	WASHER-SPRING M10	33141001	52
18	CLAMP, WATER PIPE(40A)	A302419055	1	48	WASHER-SPRING M12	33141201	32
19	O-RING	44093040P	2	49	BOLT HEX-HD	30030830	2
20	O-RING	44093050P	11	50	BOLT-HEX HD	30030835	2
21	O-RING	44093055P	5	51	BOLT-HEX.HD	30010890	2
22	O-RING	44093060P	2	52	BOLT-SEMS HEX HEAD	31861020	4
23	O-RING	44093070P	4	53	BOLT-SEMS HEX HEAD	31861025	8
24	O-RING	44093075P	2	54	BOLT HEX-HD.	30031030	24
25	ELBOW-스텐 MXF	40115005	2	55	BOLT HEX-HD.	30031035	28
26	SOCKET, DRAIN(PT1/2)	A315600001	2	56	BOLT HEX HD	30031230	8
27	NUT(HEX, 35)	A302419063	2	57	BOLT HEX. HD	30031245	24
28	MALE ELBOW-LOCK NUT(G 1/2"X G1/2"(60°))	A31572003	2	58	PLUG-SEALED	55441049P	4
29	SWIVEL ADAPTER	A31520002	2	59	GASKET-COPPER	A31820008	5
30	NIPPLE-황동1HOSS 1/2X13φ	40308018	4	60	TEMP SENSOR	A31440051P	5



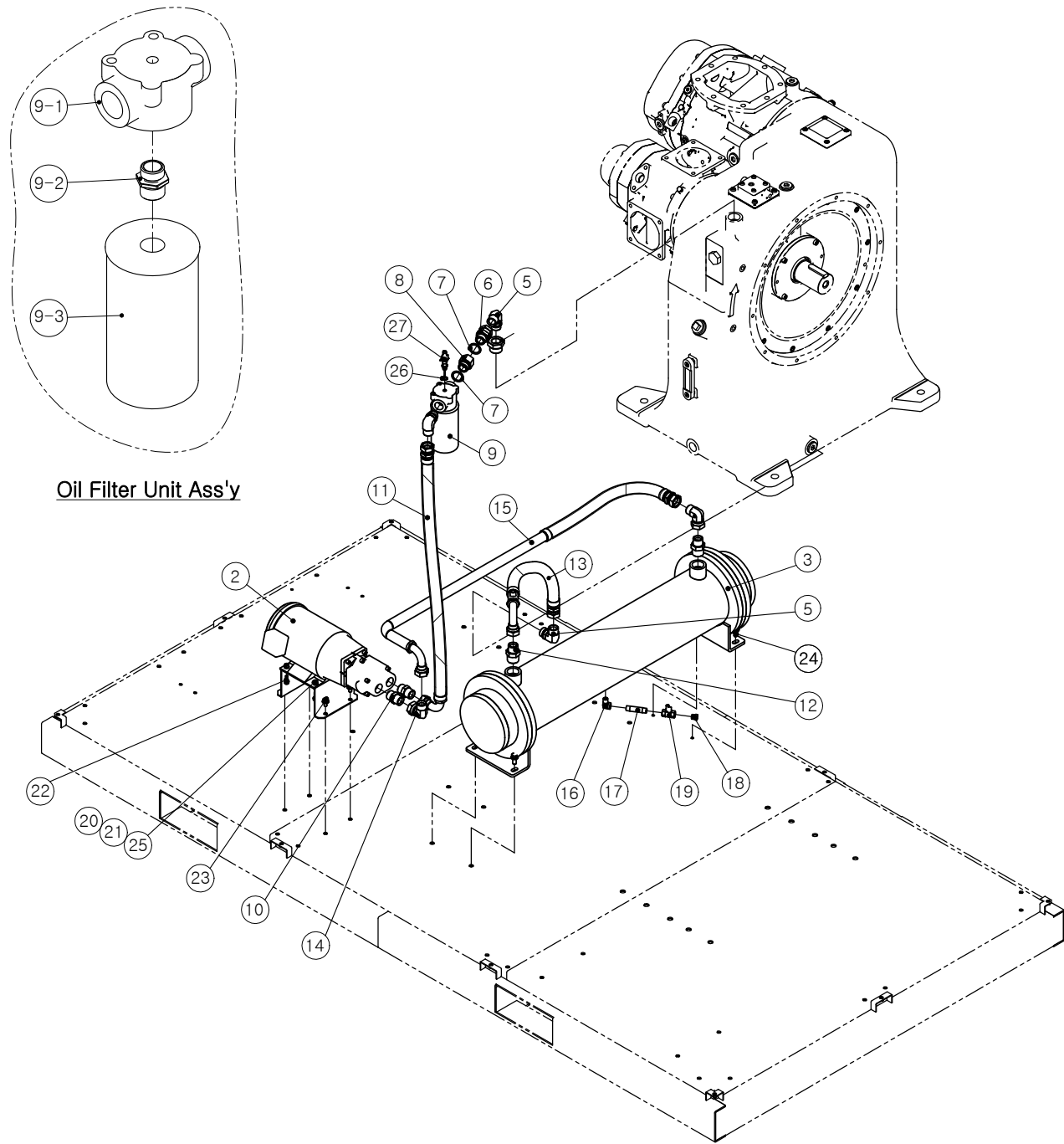
Muffler Ass'y

NO	PART	PART_NO	QTY	NO	PART	PART_NO	QTY
1	CONNECTION 1, 1st	A306419002	2	24	SAFETY VALVE	A31290023	1
2	PIPE. AIR LINE- OUT(A/E(LP),125A)	A317219015	1	25	O-RING	44093060P	1
3	PLATE, CONNECTION	A302419056	2	26	CONNECTION, SAFETY VALVE	A317219014	1
4	CONNECTION 2, 2st	A306419003	1	27	WASHER-PLAIN M12	33031201	44
5	AIR LINE 1, BELLOEWS(HP-IN)	A317119005	1	28	WASHER-PLAIN M16	33031601	20
6	MUFFLER ASS'Y	A322200002	1	29	WASHER-SPRING M12	33141201	44
7	AIR LINE 2, BELLOWS(HP-OUT)	A317119006	1	30	WASHER-SPRING M16	33141601	20
8	AIR LINE 3, PIPE(HP COLLER-IN)	A317219016	1	31	BOLT-SEMS HEX HEAD	31860815	8
9	AIR LINE 4, SERVICE	A317219017	1	32	BOLT-HEX HD	30031230	4
10	CONNECTION, CONNECTION 1	A302419058	1	33	BOLT-HEX HD	30031240	14
11	PROTECTOR, AIR LINE 2	A302419059	1	34	BOLT-HEX. HD	30031245	20
12	PROTECTOR, AIR LINE 3	A302419060	1	35	BOLT-HEX HD	30031255	6
13	PIPE, EXHAUST-AIR(25A)	A317219018	1	36	BOLT-HEX HD	30031645	12
14	O-RING	44093050P	2	37	BOLT-HEX HD	30031675	4
15	O-RING	44093100P	2	38	NUT-HEX.	32011602	4
16	O-RING	44093060P	1	39	PLUG-SEALED	55441049P	1
17	O-RING	44094135P	2	40	NIPPLE-황동1/4	40305002	1
18	O-RING	44093185P	3	41	VALVE-황동 볼1/4"(나비핸들)	41006002	1
19	O-RING	44091258P	2	42	PLUG-황동6각1/4	40505001	4
20	PIN-DOWEL	34401224	4	43	GASKET-COPPER	A31820008	6
21	NIPPLE-스텐R2"	40304052	2	44	TEMP SENSOR	A31440051P	4
22	PLUG	A315600004	1	45	PRESSURE SENSOR	A31440021P	2
23	SAFETY VALVE	A31290022	2				

Muffler Ass'y

NO	PART	PART_NO	QTY	NO	PART	PART_NO	QTY
1	HOUSING	A306419004	1	10	CHECK VALVE SEAT	A312600002	1
2	O-RING	44094130P	1	11	O-RING	44093160P	1
3	MUFFLER	A322200003	1	12	PIN-DOWEL	34400820	2
4	HEAT RESISTANCE	A312000001	1	13	WASHER-PLAIN M8	33030801	2
5	HOUSING	A306419005	1	14	WASHER-PLAIN M12	33031201	6
6	BUSH	74106006	1	15	WASHER-SPRING M8	33140801	2
7	SPRING	A308400001	1	16	WASHER-SPRING M12	33141201	6
8	CHECK VALVE	A312600001	1	17	BOLT HEX-HD	30030830	2
9	O-RING	44091258P	1	18	BOLT HEX-HD	30031260	6

5

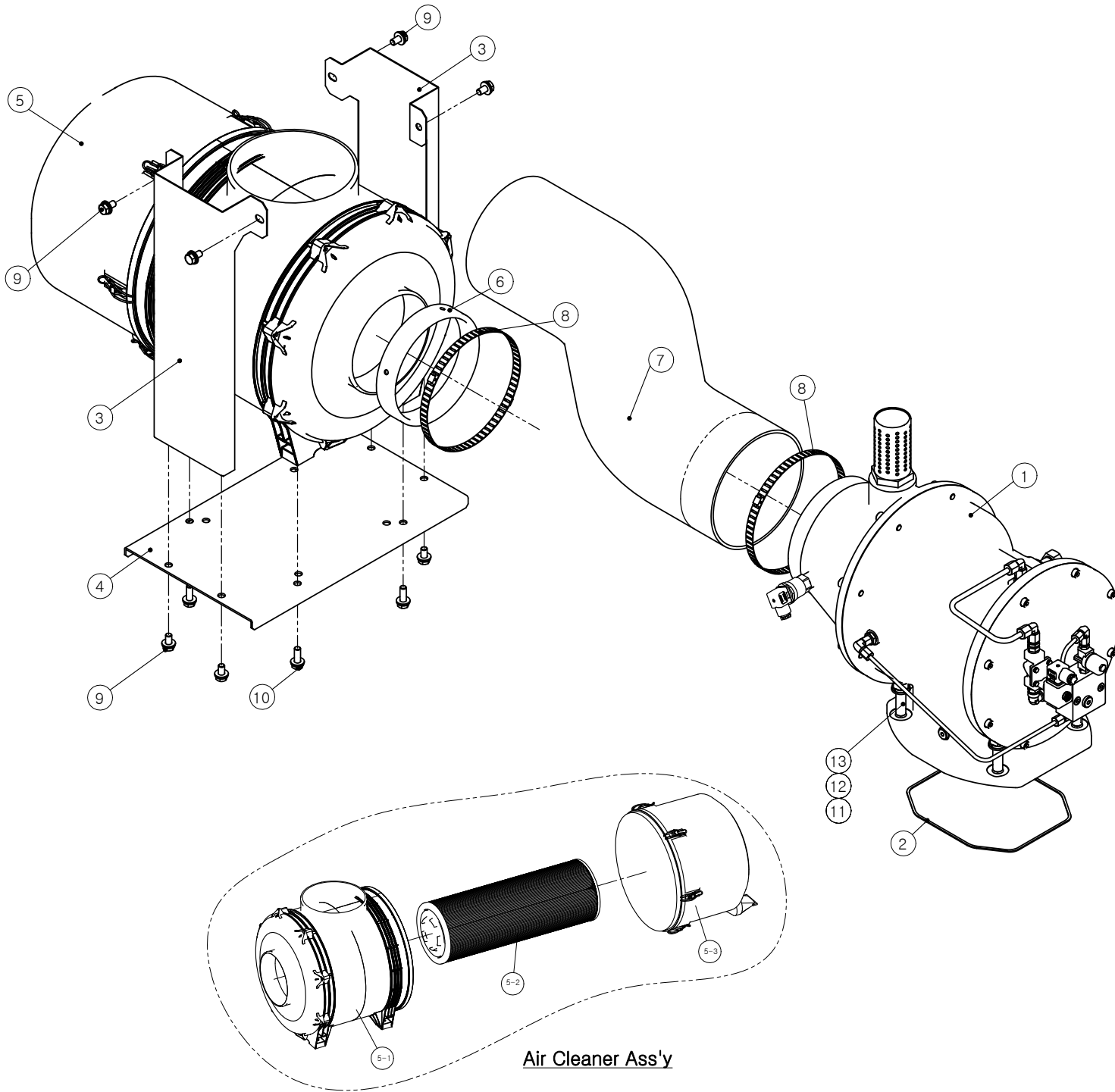


Oil Filter Unit Ass'y

NO	PART	PART_NO	QTY	NO	PART	PART_NO	QTY
1	BRACKET, OIL PUMP	A302413075	1	15	METAL HOSE, OIL LINE(PUMP-IN)	A317119013	1
2	OIL PUMP W/ MOTOR(2.2kW 60Hz)	A3210560511P	1	16	ELBOW-황동 Mx F 3/8	40110003	1
3	OIL COOLER	A304419004	1	17	NIPPLE 스텐 장 3/8	40304016	1
4	BUSHING-RED ADAPTER	A31560001	1	18	PLUG-황동6각 3/8	40505002	1
5	MALE ELBOW-LOCK NUT(G1"XG1"(60°))	A31572007	3	19	VALVE- 황동 볼 3/8"(나비핸들)	41006004	1
6	SWIVEL ADAPTER	A31520004	1	20	WASHER-PLAIN M8	33030801	4
7	GASKET-COPPER	A31820003	2	21	WASHER-SPRING M8	33140801	4
8	BUSHING-RED ADAPTER	A31560013	1	22	BOLT-SEMS HEX HEAD	31860825	4
9	OIL FILTER UNIT ASS'Y	A30941303	1	23	BOLT-SEMS HEX HEAD	31861020	4
9-1	BODY ASS'Y	A30941304	1	24	BOLT-SEMS HEX HEAD	31861230	4
9-2	NIPPLE	55030006-1	1	25	HEX-NUT	32010802	4
9-3	OIL FILTER ELEMENT	73001079P	1	26	GASKET-COPPER	A31820008	1
10	MALE CONNECTOR(R 1"x G1"(30°))	A31511005	2	27	TEMP SENSOR	A31440051P	1
11	METAL HOSE, OIL LINE(PUMP-OUT)	A317119014	1				
12	MALE CONNECTOR(R 1 1/4"x G1"(30°))	A31511021	2				
13	METAL HOSE, OIL LINE(COOLER-IN)	A317119012	1				
14	SWIVEL ELBOW(90°)	A31580008	2				

Intake V/V & Air Cleaner

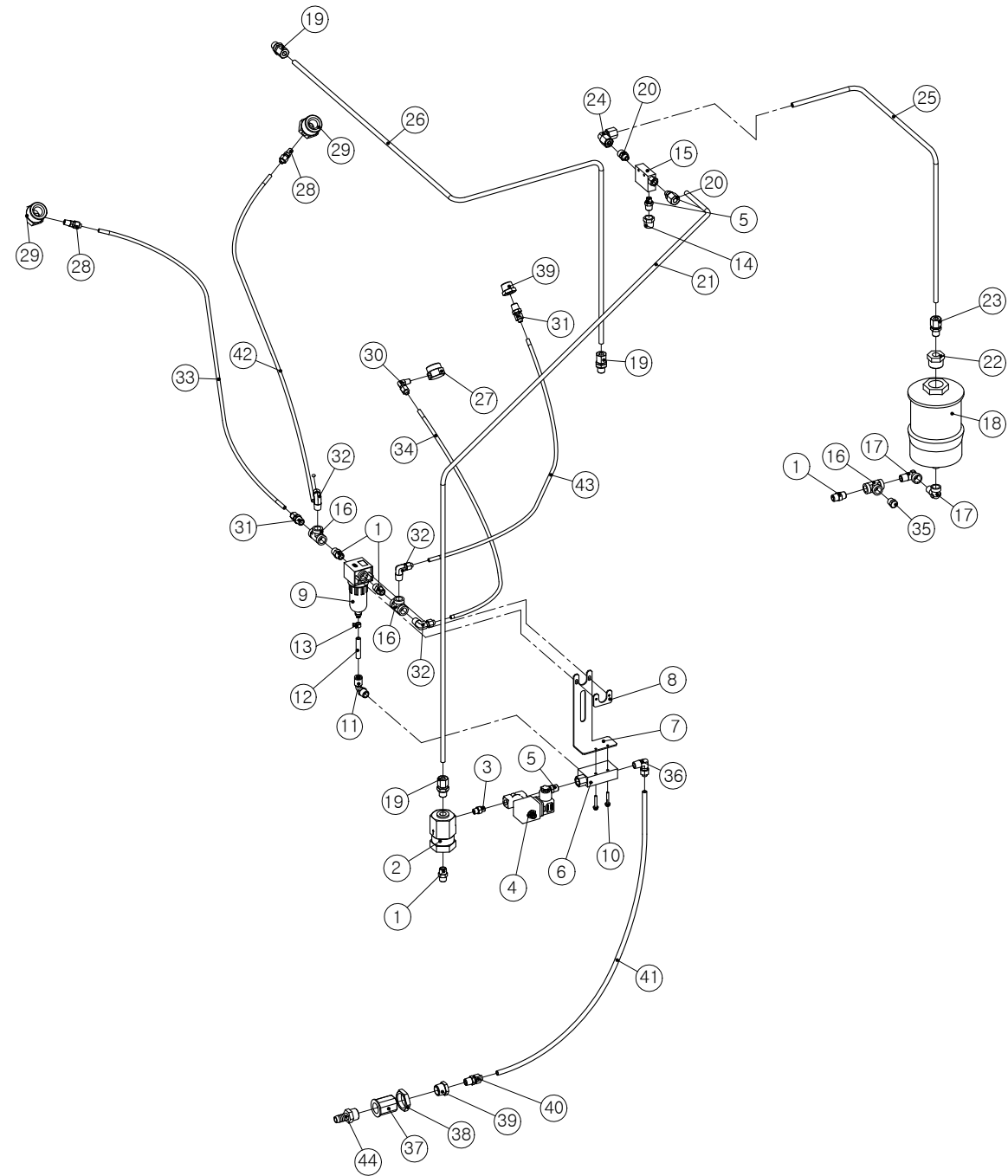
6



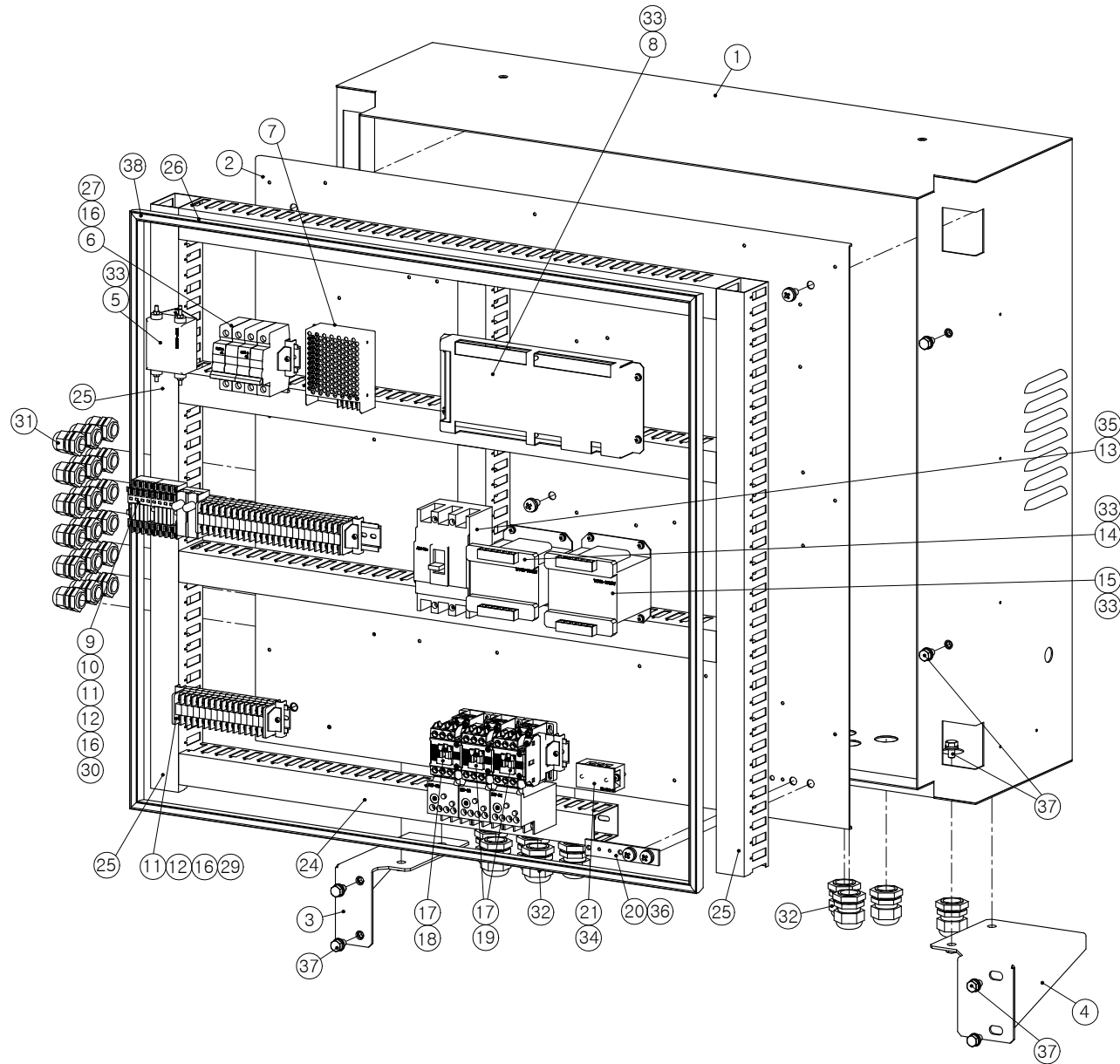
Air Cleaner Ass'y

NO	PART	PART_NO	QTY	NO	PART	PART_NO	QTY
1	INTAKE VALVE ASS'Y	A312216001	1	8	HOSE BEND-SCREW 175~225	92602023	4
2	O-RING	49900117	1	9	BOLT-SEMS HEX HEAD	31861020	8
3	BRACKET, AIR CLE.	A302419036	2	10	BOLT-SEMS HEX HEAD	31861030	4
4	SUPPORT, AIR CLE.	A302419037	1	11	WASHER-PLAIN M16	33031601	4
5	AIR CLEANER ASS'Y(NLG 37-42)	A31032501P	1	12	WASHER-SPRING M16	33141601	4
5-1	AIR CLEANER HOUSING	A31032501P-1	1				
5-2	AIR FILTER ELEMENT	A31032505P	1				
5-3	AIR CLEANER COVER	A31032501P-2	1				
6	CONNECTOR, AIR CLE.	A310419001	1	13	BOLT-HEX HD	30031655	4
7	AIR HOSE(자바라)	A31630014	1				

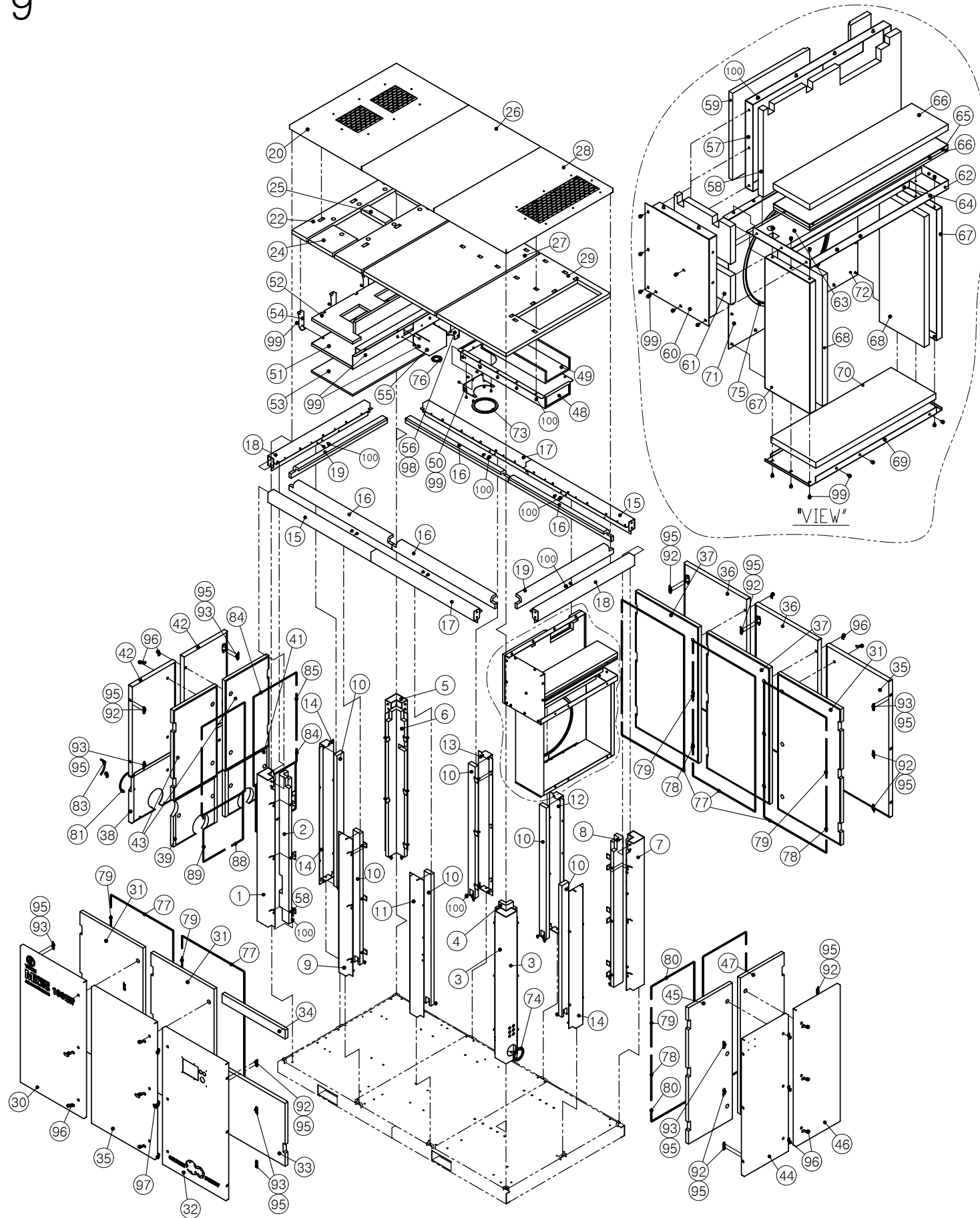
7



NO	PART	PART_NO	QTY	NO	PART	PART_NO	QTY
1	NIPPLE-황동 1/4	40305002	4	23	MALE CONNECTOR (Ø8xR1/4)	42302209	1
2	AIR FILTER ASS'Y	A303413010	1	24	ELBOW-SWIVEL NUT(M14x1.5)	42101202	1
3	NIPPLE-황동 1/8	40305001	1	25	CONTROL LINE 2. OIL MISTER IN	A315600002	1
4	SOLENOID VALVE	A31230001P	1	26	CONTROL LINE 3. INTAKE V/V IN	A317319003	1
5	NIPPLE-황동이경	40305012	2	27	BUSHING	A315600002	1
6	EJECTOR(Rc1/4")	A31680003	1	28	NIPPLE-MALE CONNECTOR	40314001	2
7	BRACKET, AIR CONTROL UNIT	A302419065	1	29	BUSHING	A315600005	2
8	PLATE, AIR CONTROL UNIT	A302419066	1	30	ELBOW-MALE	40118001	1
9	AIR CONTROL UNIT	A30341306P	1	31	NIPPLE-MALE	40314002	2
10	SCREW-SEMS동근머리(+)	31710425	2	32	ELBOW-MALE	40118002	3
11	ONE TOUCH FITTING	55101027	1	33	NYLON TUBE	43102001	1
12	NYLON TUBE	A316200002	1	34	NYLON TUBE	43102001	1
13	HOSE, CLIP	A316400001	1	35	PLUG-황동6각 1/4	40505001	1
14	BUSHING-황동	40604027	1	36	ELBOW-MALE	40118004	1
15	EJECTOR(Rc1/8")	A31680004	1	37	SOCKET, DRAIN(PT 1/2)	A315600001	1
16	TEE-황동F*F	40210002	3	38	NUT(HEX. 35)	A302419063	1
17	ELBOW-황동Mx F 1/4	40110002	2	39	BUSHING-황동	40604021	2
18	OIL MISTER	42302105	1	40	NIPPLE-MALE	40314004	1
19	MALE CONNECTOR(Ø8xG1/4)	42302105	3	41	NYLON TUBE(ODØ8xIDØ6)	A316200002	1
20	MALE CONNECTOR(Ø8xR1/8)	49900131	2	42	NYLON TUBE	43102001	1
21	CONTROL LINE 1	A317319001	1	43	NYLON TUBE	43102001	1
22	BUSHING-황동	40604025	1	44	NIPPLE-황동1HOSS 1/2x13Ø	40308018	1



NO	PART	PART_NO	QTY	NO	PART	PART_NO	QTY
1	CONTROL BAX	A302419006	1	20	EARTH BAR	A31490007	1
2	BACK PLATE	A302419007	1	21	TERMINAL BLOCK	A31350010	1
3	CONTROL BOX BRACKET, LEFT	A302419075	1	22	PVC DUCT	A31420054	1
4	CONTROL BOX BRACKET, RIGHT	A302419076	1	23	PVC DUCT	A31420054	1
5	NOISE FILTER	A31360101	1	24	PVC DUCT	A31420054	1
6	MCCB	A31340007	2	25	PVC DUCT	A31420054	2
7	POWER SUPPLY	A31390011	1	26	PVC DUCT	A31420054	3
8	CONTROLLER	A31320080	1	27	DIN RAIL (수평)	A31350024	1
9	TERMINAL RELAY	A31380052	2	28	DIN RAIL (수평)	A31350024	1
10	FUSE HOLDER	A3140004	1	29	DIN RAIL (수평)	A31350024	1
11	SEPARATOR	A31350031	4	30	DIN RAIL (수평)	A31350024	1
12	TERMINAL BLOCK	A31350002	39	31	CABLE GRAND	A31420006	18
13	MCCB	A31341021	1	32	CABLE GRAND	A31420006	9
14	TRANSFORMER	A31360219	1	33	SCREW-SEMS동근머리(+)	31710420	46
15	TRANSFORMER	A31360007	1	34	SCREW-SEMS동근머리(+)	31710420	2
16	TERMINAL STOPPER	A31350030	8	35	SCREW-SEMS동근머리(+)	31710420	2
17	MC	A31310001	3	36	SCREW-SEMS동근머리(+)	31710816	6
18	THERMAL RELAY	A31330045	1	37	BOLT-SEMS HEX HEAD	31860815	12
19	THERMAL RELAY	A31330039	2	38	RUBBER SEAL	A30840001P	1



NO	PART	PART_NO	QTY	NO	PART	PART_NO	QTY
1	SIDE POST, FRONT-L	A302419012	1	51	BAFFLE, TOP COVER(MIDDLE)	A302416053	1
2	SOUND ABSORBENT	A305419001	1	52	SOUND ABSORBENT	A305416016	1
3	SIDE POST, FRONT-R	A302417013	1	53	SOUND ABSORBENT	A305416017	1
4	SOUND ABSORBENT	A305417001	1	54	BRACKET, BAFFLE	A302416054	3
5	SIDE POST, REAR-L	A302419014	1	55	SILENCER	A302419040	1
6	SOUND ABSORBENT	A305419003	1	56	COVER, SILENCER	A302419041	1
7	SIDE POST, REAR-R	A302419015	1	57	PANEL, SUCTION 1	A302419044	1
8	SOUND ABSORBENT	A305419022	1	58	SOUND ABSORBENT	A305419024	1
9	MIDDLE POST, FRONT&REAR-L	A302419016	1	59	SOUND ABSORBENT	A305419025	1
10	SOUND ABSORBENT	A305419004	6	60	PANEL, SUCTION 2	A302419045	1
11	MIDDLE POST, FRONT	A302419069	1	61	SOUND ABSORBENT	A305419026	1
12	MIDDLE POST, FRONT&REAR-R	A302419017	1	62	PANEL, SUCTION 3	A302419046	1
13	MIDDLE POST, REAR_L	A302419064	1	63	SOUND ABSORBENT	A305419027	1
14	MIDDLE POST, SIDE	A302419018	2	64	SOUND ABSORBENT	A305419028	1
15	UPPER FRAME, FRONT&REAR 1	A302419019	2	65	BAFFLE, SUCTION	A302419047	1
16	SOUND ABSORBENT	A305419005	4	66	SOUND ABSORBENT	A305419029	2
17	UPPER FRAME, FRONT&REAR 2	A302419020	2	67	BRACKET, BAFFLE	A302419048	2
18	UPPER FRAME, SIDE	A302419021	2	68	SOUND ABSORBENT	A305419030	2
19	SOUND ABSORBENT	A305419006	2	69	PANEL, BAFFLE	A302419049	1
20	TOP COVER , MIDDLE 1	A302416020	1	70	SOUND ABSORBENT	A305419031	1
21	SOUND ABSORBENT	A305416006	1	71	BAFFLE, MOTOR 1	A302417014	1
22	SOUND ABSORBENT	A302416007	1	72	BAFFLE, MOTOR 2	A302417015	1
23	SOUND ABSORBENT	A305416008	1	73	RUBBER, SEAL	A30840001P	1
24	SOUND ABSORBENT	A302416009	1	74	RUBBER SEAL	A30840001P	1
25	SOUND ABSORBENT	A305416010	1	75	RUBBER SEAL	A30840001P	2
26	TOP COVER, MIDDLE	A302419023	1	76	RUBBER SEAL	A30840001P	1
27	SOUND ABSORBENT	A305419008	1	77	RUBBER SEAL	A30840009	5
28	TOP COVER, RIGHT	A302419024	1	78	RUBBER SEAL	A30840009	7
29	SOUND ABSORBENT	A305419009	1	79	RUBBER SEAL	A30840009	7
30	FRONT COVER, LEFT	A302417011	1	80	RUBBER SEAL	A30840009	2
31	SOUND ABSORBENT	A305419010	3	81	RUBBER SEAL	A30840009	2
32	FRONT COVER, RIGHT	A302419026	1	82	RUBBER SEAL	A30840009	1
33	SOUND ABSORBENT	A305419038	1	83	RUBBER SEAL	A30840009	1
34	SOUND ABSORBENT	A302419037	1	84	RUBBER SEAL	A30840009	2
35	FRONT(M)&REAR(R) COVER	A302419027	2	85	RUBBER SEAL	A30840009	2
36	REAR COVER, LEFT&MIDDLE	A302419028	2	86	RUBBER SEAL	A30840009	1
37	SOUND ABSORBENT	A305419011	2	87	RUBBER SEAL	A30840009	1
38	FRONT COVER, LEFT_DOWN 1	A302419029	1	88	RUBBER SEAL	A30840009	1
39	SOUND ABSORBENT	A305419012	1	89	RUBBER SEAL	A30840009	1
40	SIDE COVER, LEFT_DOWN 2	A305419030	1	90	RUBBER SEAL	A30840009	1
41	SOUND ABSORBENT	A305419013	1	91	BRACKET, HINGE	A320200005	28
42	SIDE COVER, LEFT	A302419031	2	92	HINGE	A320200003	15
43	SOUND ABSORBENT	A305419014	2	93	HINGE	A320200004	14
44	SIDE COVER, RIGHT 1	A302419032	1	94	BOLT-FLANGE	30220610	56
45	SOUND ABSORBENT	A305419015	1	95	NUT-LOCK M5(NYLON)	32110502	55
46	SIDE COVER,RIGHT 2	A302419033	1	96	DOOR LOCK	A320100001P	29
47	SOUND ABSORBENT	A305419016	1	97	DOOR LOCK	A320200002P	3
48	SUCTION, AIR CLEANER	A302419034	1	98	BOLT-SEMS HEX HEAD	31860615	4
49	SOUND ABSORBENT	A305419017	1	99	BOLT-SEMS HEX HEAD	31860815	121
50	COVER, SUCTION-AIR CLE.	A302419035	1	100	BOLT-SEMS HEX HEAD	31861020	73