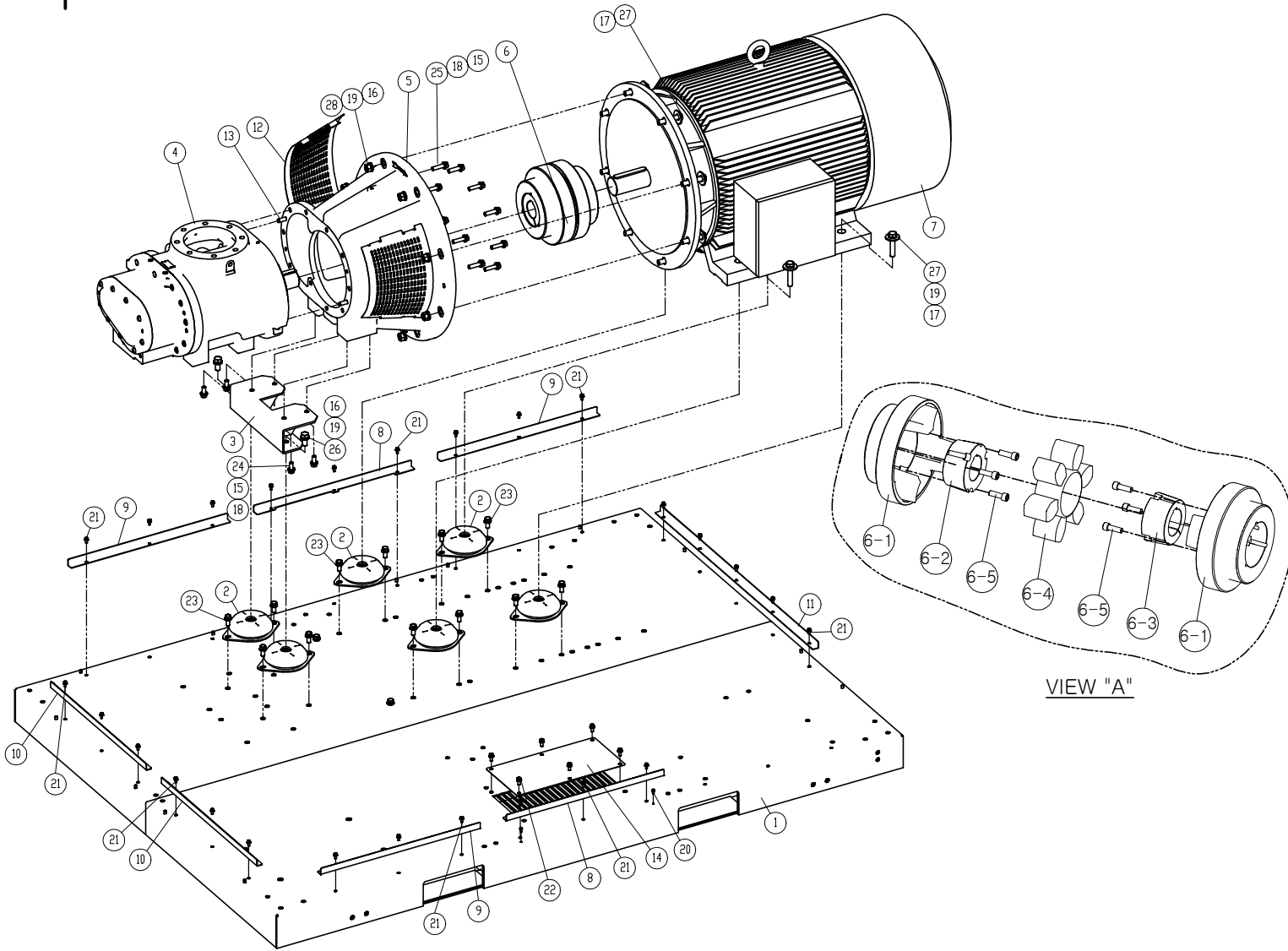
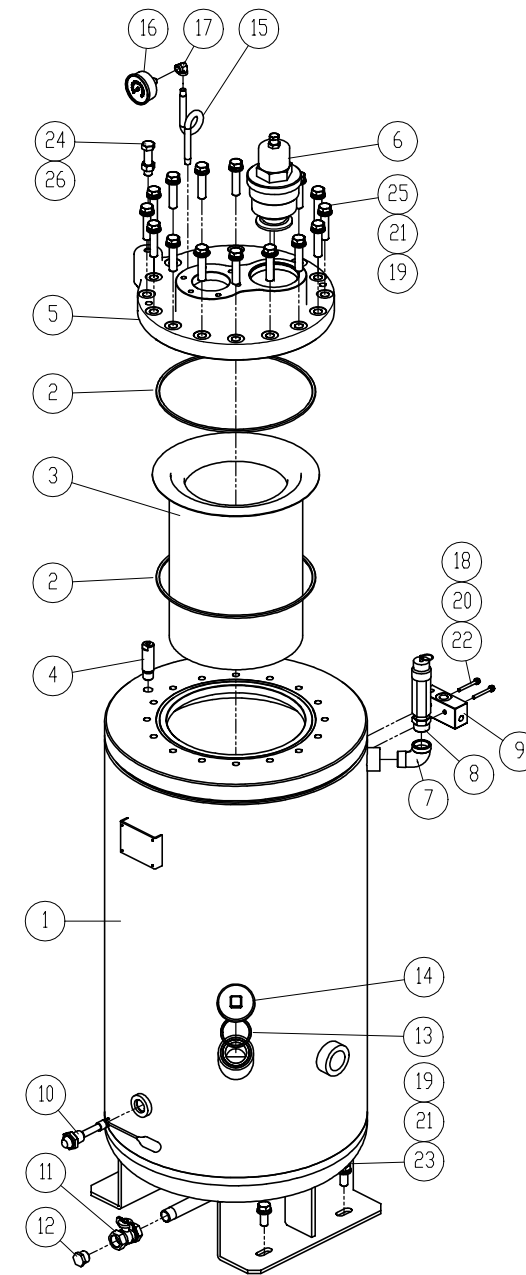


1



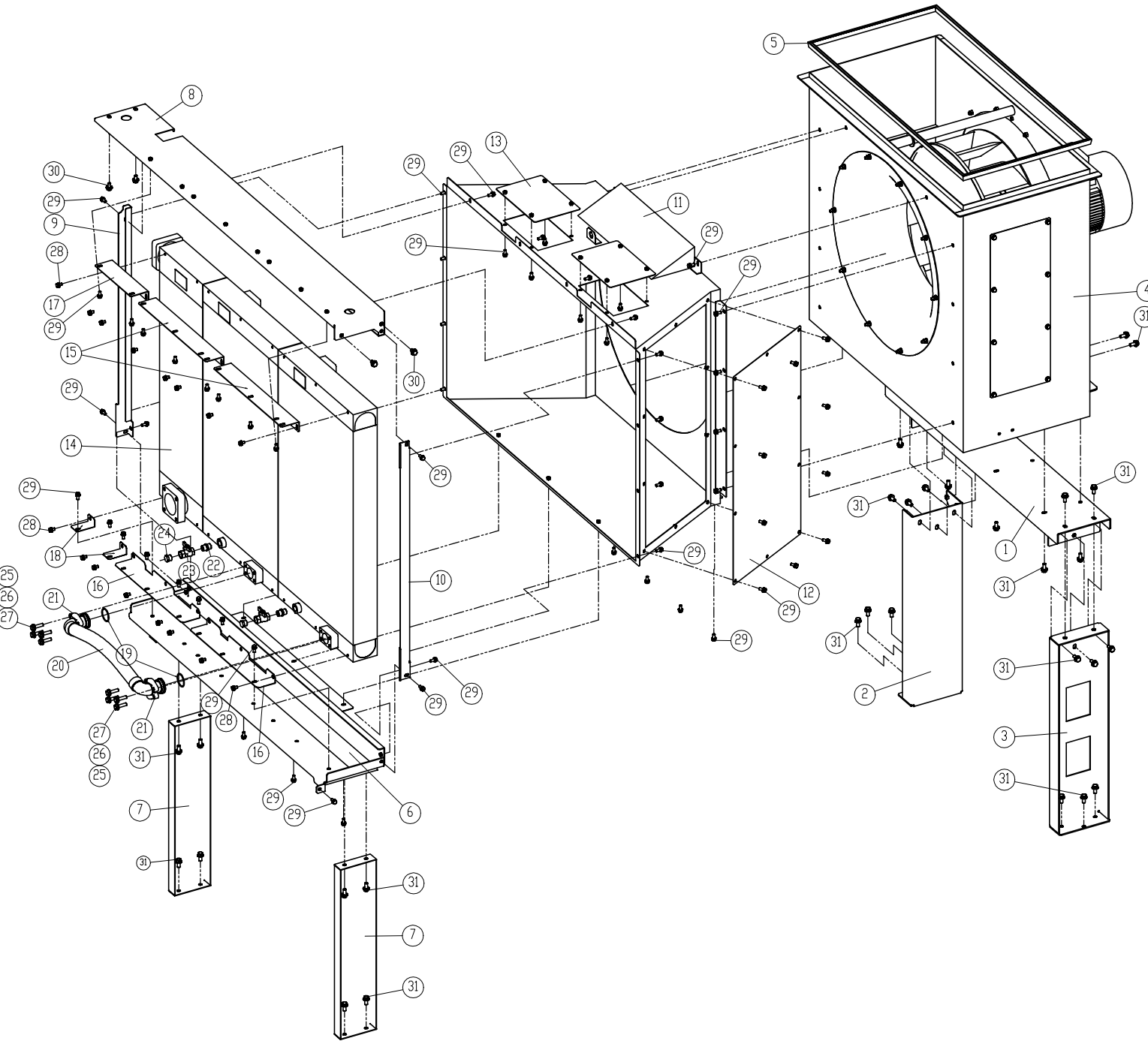
NO	PART	PART_NO	QTY	NO	PART	PART_NO	QTY
1	BASE	A302316202	1	13	PIN-DOWEL	34401260	2
2	VIBRATION INSULATOR	A308100017P	6	14	COVER	A302316146	1
3	SUPPORT	A302315062	1	15	WASHER-PLAIN M12	3302A00120	14
4	AIR END UNIT	A10958015	1	16	WASHER-PLAIN M16	3302A00160	10
5	COUPLING HOUSING	A30631519	1	17	WASHER-PLAIN	A31930001	12
6	COUPLING ASS'Y	A306315002P	1	18	WASHER-SPRING M12	3312A00120	14
6-1	FLANGE	A30631624P	2	19	WASHER-SPRING M16	3312A00160	14
6-2	BUSH-AIREND	A30631516P	1	20	BOLT-SOCKET HD	3011A05010	2
6-3	BUSH-MOTOR	A30631702P	1	21	BOLT-SEMS HEX HEAD	3141A00616	26
6-4	SPIDER	A30631625P	1	22	BOLT-SEMS HEX HEAD	3141A00820	6
6-5	BOLT-SOCKET HD.		6	23	BOLT-SEMS HEX HEAD	3141A01230	14
7	MAIN MOTOR	A3918602425P	1	24	BOLT-HEX HD	3001D12030	4
8	BRACKET	A302316145	2	25	BOLT-HEX HD	3001D12050	10
9	BRACKET	A302316153	3	26	BOLT-HEX HD	3001D16035	2
10	BRACKET 1	A302316203	2	27	BOLT-HEX HD	3001D16080	12
11	BRACKET 2	A302316204	1	28	NUT-HEX	3202A01160	8
12	PROTECTOR	A302316033	2				

2

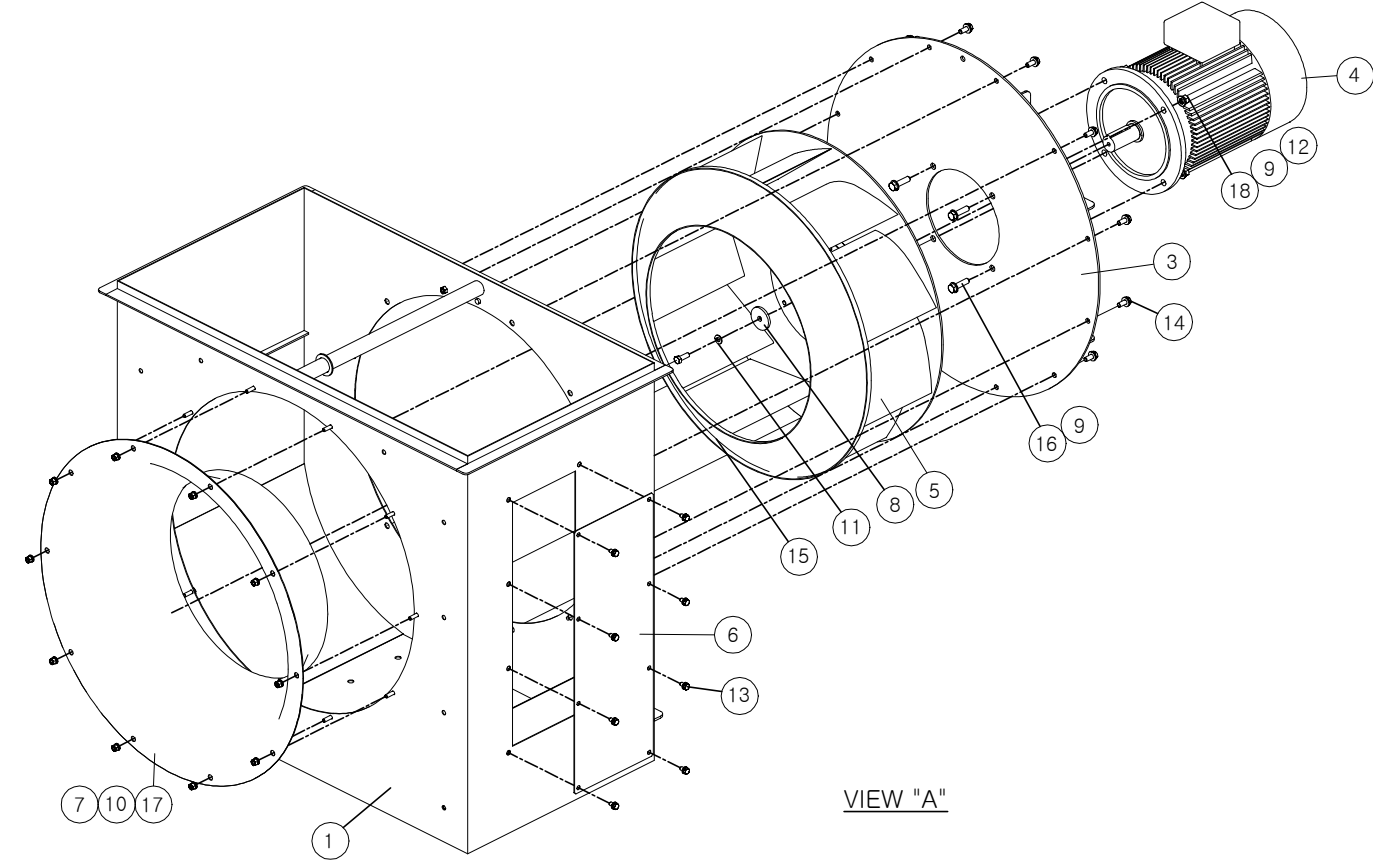


NO	PART	PART_NO	QTY	NO	PART	PART_NO	QTY	비고
1	SEPARATOR TANK	A303316014	1	14	OIL CAP	A30331506	1	
2	O-RING	44091487P	2	15	SYPHON PIPE(1/4")	A31730052	1	
3	SEPARATOR ELEMENT	A303315001P	1	16	PRESSURE GAUGE	A31110001P	1	
4	SHAFT-ROTATION	A30331307	1	17	ELBOW-활동 Fx F 1/4	40109002	1	
5	TOP COVER, SEP. TANK	A30331612	1	18	WASHER-PLAIN M6	3302A00060	2	
6	MIN.PRESSURE VALVE-KIT	A31210008P	1	19	WASHER-PLAIN M16	3302A00160	20	
7	ELBOW-스탠 Mx F 1	A315722005	1	20	WASHER-SPRING M6	3312A00060	2	
8	SAFETY VALVE	A312900011	1	21	WASHER-SPRING M16	3312A00160	20	
9	BRACKET-SCAVENGE&CONTROL	A30331613	1	22	BOLT HEX-HD	3001A06055	2	
10	LEVEL GAUGE	A31150006P	1	23	BOLT-HEX.HD	3001D16040	4	
11	VALVE-활동 볼 3/4"	41006006	1	24	BOLT-HEX HD	3001A16065	1	
12	PLUG-활동 6각 3/4"	40505004	1	25	BOLT-HEX HD	3001D16070	16	
13	O-RING	44093060P	1	26	NUT-HEX.	3202A01160	1	

3



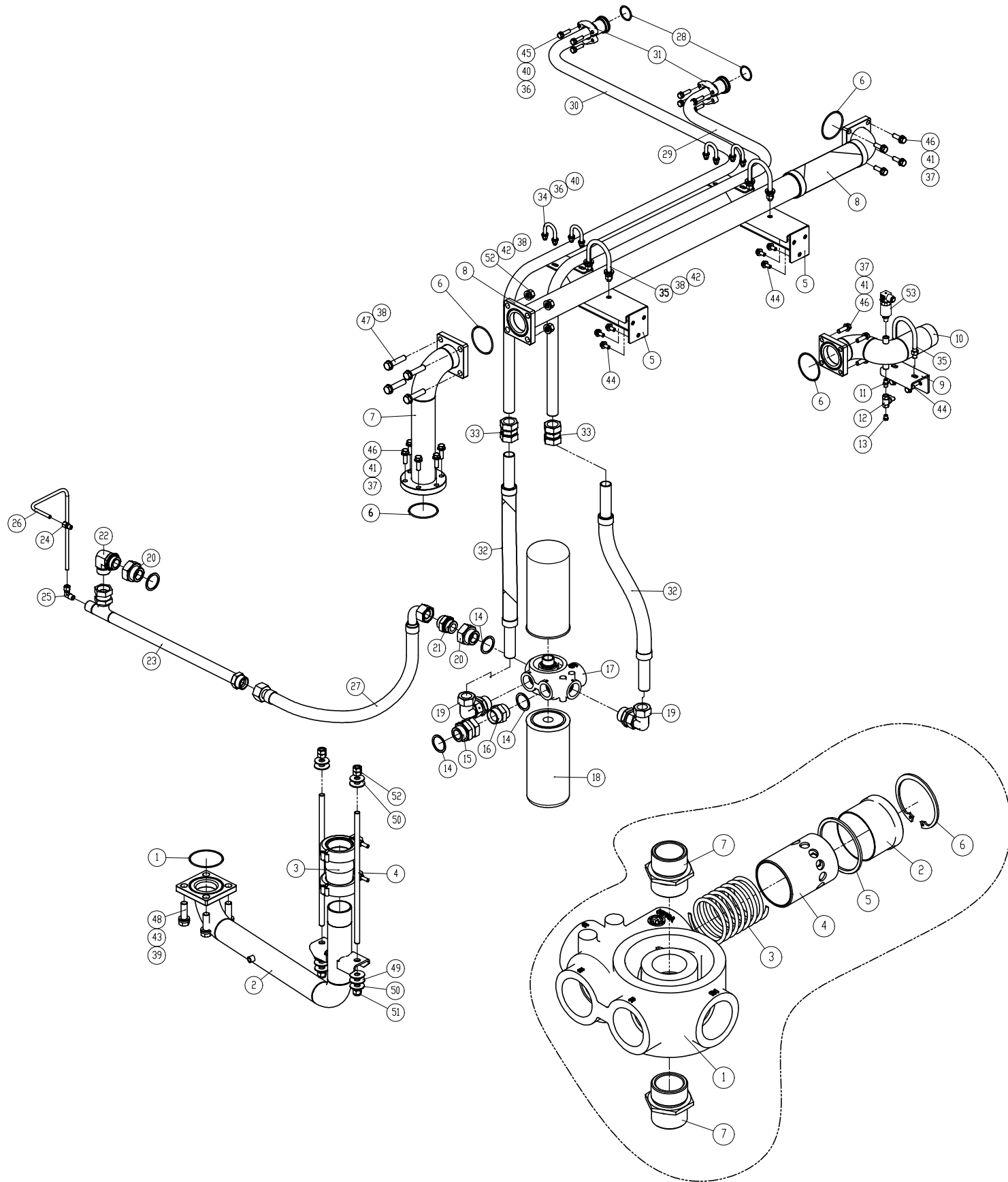
4



NO	PART	PART_NO	QTY	NO	PART	PART_NO	QTY	비고
1	SUPPORT	A302316131	1	6	SUPPORT	A302316135	1	
2	SUPPORT	A302316132	1	7	BRACKET	A302316134	2	
3	SUPPORT	A302316133	1	8	BRACKET	A302316136	1	
4	COOLING FAN ASS'Y	A304315012	1	9	BRACKET	A302316137	1	
4-1	HOUSING	A302315035	1	10	BRACKET	A302316138	1	
4-2	BELL MOUTH	A304315011	1	11	SHROUD	A302316139	1	
4-3	SUPPORT	A302316129	1	12	COVER	A302316140	1	
4-4	FAN MOTOR	A301066215	1	13	COVER	A302316141	2	
4-5	AIR FOIL FAN	A304315009	1	17	BRACKET	A302316149	1	
4-6	COVER	A302316130	1	18	BRACKET	A302316150	2	
4-7	WASHER-PLAIN M8	33030801	10	19	O-RING	44093045P	2	
4-8	PLAIN WASHER(M10)	A319300005	1	20	METAL HOSE	A317116032	1	
4-9	WASHER-PLAIN M12	33031201	8	21	FLANGE-SPLITTER	A31720123	2	
4-10	WASHER-SPRING M8	33140801	10	22	NIPPLE	40305004	2	
4-11	WASEHR-SPRING M10	33141001	1	23	VALVE	41006003	2	
4-12	WASHER-SPRING M12	33141201	4	24	PLUG	40505003	2	
4-13	BOLT-SEMS HEX HEAD	31860815	8	25	WASHER-PLAIN	33031001	8	
4-14	BOLT-SEMS HEX HEAD	31861025	12	26	WASHER-SPRING	33141001	8	
4-15	BOLT HEX-HD	30031030	1	27	BOLT HEX HD	30031040	8	
4-16	BOLT HEX-HD	30031245	4	28	BOLT-SEMS HEX HEAD	31860815	16	
4-17	HEX-NUT	32010802	10	29	BOLT-SEMS HEX HEAD	31860820	70	
4-18	NUT-HEX	32011202	4	30	BOLT-SEMS HEX HEAD	31861020	4	
5	RUBBER SEAL	A30840001P	1	31	BOLT-SEMS HEX HEAD	31861025	32	

Oil & Air Mixture Line

5



Oil & Air Mixture Line

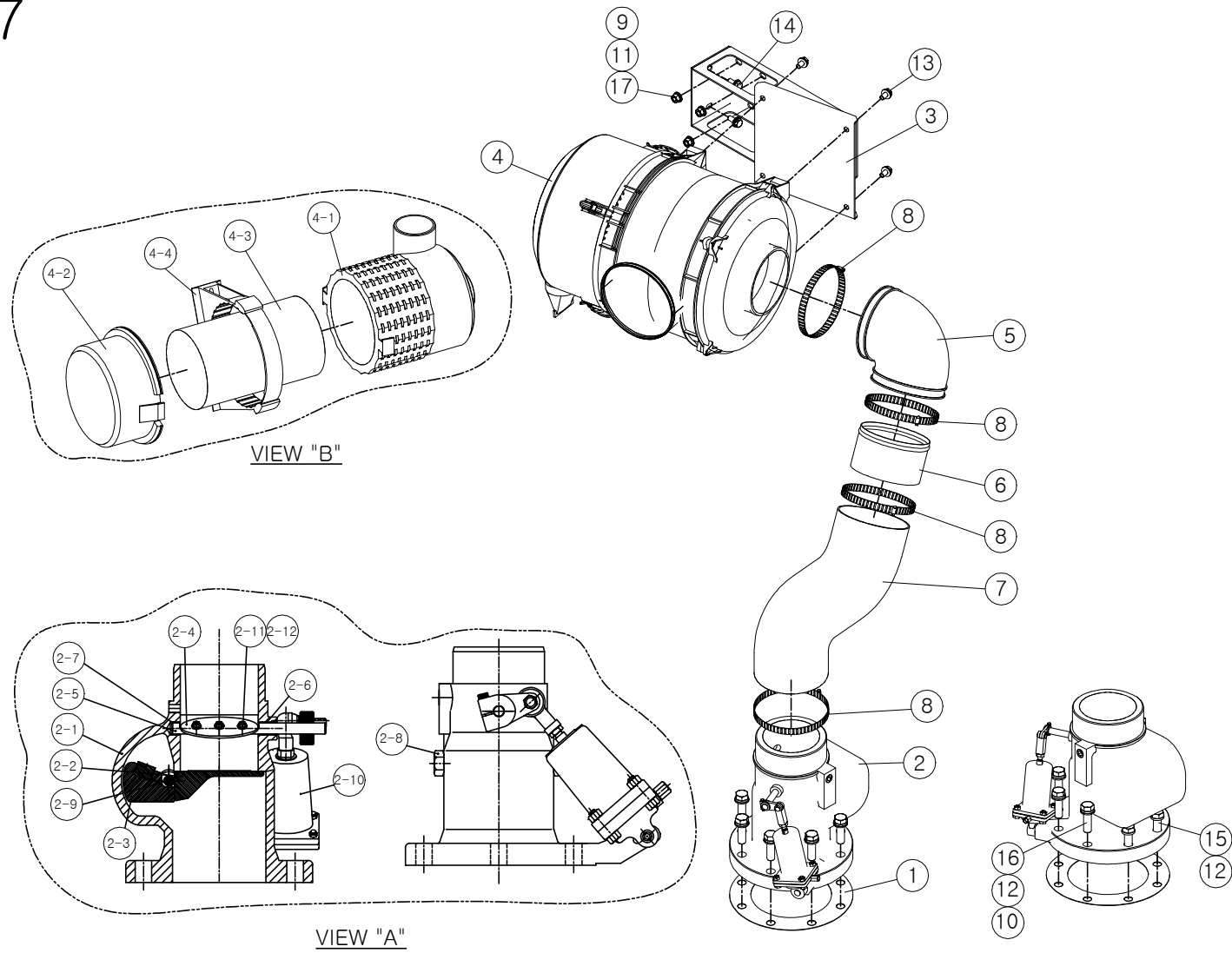
NO.	PARTS	PARTS NO.	Q'TY.	NO.	PARTS	PARTS NO.	Q'TY.
1	O-RING	4400G16105	1	28	O-RING	4400G16045	2
2	DISCHARGE CONNECTOR	A303315007	1	29	OIL LINE NO.2<OIL COOLER-IN>	A317316045	1
3	JOINT-FLEXIBLE<2-1/2">	A31860018P	1	30	OIL LINE NO.2<OIL COOLER-OUT>	A317316046	1
4	SUPPORT BOLT	A319400007	2	31	FLANGE-SPLITTER	A31720123	2
5	SUPPORT, AIR & OIL LINE	A302316142	2	32	METAL HOSE 1 1/4"	A317100036	2
6	O-RING	4400G16090	4	33	UNION CONNECTOR (Ø35)	42305113	2
7	FLANGE, PIPE<SEP. TANK COVER>	A317216057	1	34	BOLT-U 1"	30502004	4
8	METAL HOSE<2 1/2">	A317116031	1	35	BOLT-U 2½"	30502008	3
9	BRACKET, SERVICE AIR	A302316179	1	36	WASHER-PLAIN SMALL	3302A00100	16
10	PIPE, SERVICE AIR<65A>	A317216030	1	37	WASHER-PLAIN M12	3302A00120	14
11	NIPPLE-황동 1/4	40305002	1	38	WASHER-PLAIN M16	3302A00160	12
12	VALVE-황동 볼 1/4<나비렌들>	41006002	1	39	WASHER-PLAIN SMALL	3302A00200	4
13	PLUG-황동 6각 1/4	40505001	1	40	WASHER-SPRING M10	3312A00100	16
14	GASKET-COPPER	A31820005	4	41	WASHER-SPRING M12	3312A00120	14
15	SWIVEL ADAPTER	A31520006	1	42	WASHER-SPRING M16	3312A00160	8
16	MALE CONNECTOR	A31510006	1	43	WASHER-SPRING HEAVY	3312A00200	4
17	THERMOSTATIC VALVE ASS'Y	A309316001	1	44	BOLT-SEMS HEX HEAD	3141A01025	8
18	FILTER-OIL	A30931201P	2	45	BOLT HEX-HD.	3001D10040	8
19	ADJUSTABLE SWIVEL ELBOW	42105201	2	46	BOLT-HEX HD	3001D12040	14
20	BUSHING-RED ADAPTER	A31560003	2	47	BOLT-HEX HD	3001D16070	4
21	MALE CONNECTOR <Ø30xG11/4>	42302123	1	48	BOLT-HEX.HD	3001D20065	4
22	MALE ELBOW-LOCK NUT<G1¼×G1¼<90°>>	A31572006	1	49	ANTIVIBRATION PAD	A308100002	6
23	PIPE, OIL INJECTION<RTA-9G>	A317200006	1	50	PLAIN WASHER<M16>	A319300002	4
24	NIPPLE-황동 1RING 1/4x3/8	40307007	1	51	NUT-LOCK NYLON M16	3211A00160	2
25	ELBOW-황동 1RING	40108010	1	52	NUT-HEX.	3202E01160	8
26	동관<INJECTION LINE>	A317415001	1	53	PRESSURE SENSOR	A31440020P	1
27	METAL HOSE, OIL INJECTION<1">	A317116033	1				

NO	PARTS	PARTS_NO	QTY	NO	PARTS	PARTS_NO	QTY
1	THERMOSTATIC VALVE, HOUSING<가공도>	A309316002	1	5	O-RING	44093060P	1
2	THERMOSTATIC VALVE, COVER	A309321005	1	6	RETAINER RING-C	36202060	1
3	SPRING, THERMOSTATIC VALVE	A309321006	1	7	INPPLE, OIL FILTER	A30931307	2
4	KIT, THERMOSTATIC VALVE	A309321007	1				

6

Intake V/V & Air Cleaner

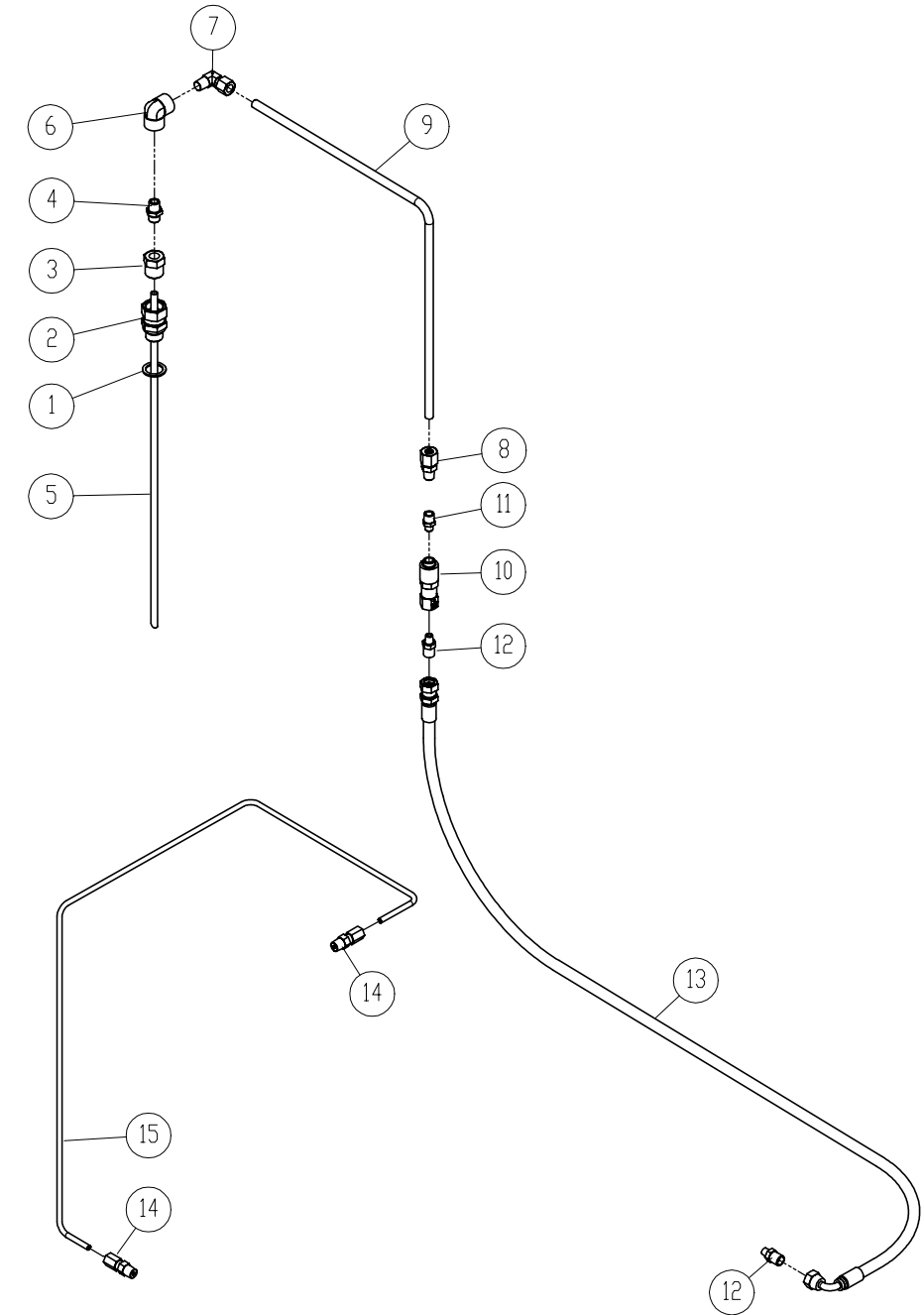
7



NO	PART	PART_NO	QTY	NO	PART	PART_NO	QTY
1	GASKET	A31830011	1	4-2	AIR CLEANER COVER	A31031601P-2	1
2	INTAKE VALVE ASS'Y	A31220008	1	4-3	AIR FILTER ELEMENT	A31031603P	1
2-1	HOUSING	A31220008-1	1	4-4	AIR CLEANER BRACKET	A31031602P	1
2-2	CHECK ASS'Y	A31220008-2	1	5	AIR CONNECTOR-ELBOW	A31031901P	1
2-3	BALANCE ASS'Y	A31220008-3	1	6	AIR CONNECTOR-COUPLING	A31031602P	1
2-4	THROTTLE	A31220008-4	1	7	AIR HOSE	A31630013	1
2-5	SHAFT	A31220008-5	1	8	HOSE BEND	92602018	4
2-6	DU BUSH	A31220008-6	1	9	WASHER-PLAIN	33031001	3
2-7	DU BUSH	A31220008-7	1	10	WASHER-PLAIN	33031601	8
2-8	GUIDE PIUG	A31220008-8	2	11	WASHER-SPRING	33141001	3
2-9	PLUG	A31220008-9	1	12	WASHER-SPRING	33141601	8
2-10	CYLINDER ASS'Y	A31220008-10	1	13	BOLT-SEMS HEX HEAD	31861020	4
2-11	HEX. BOLT	A31220008-11	3	14	BOLT-SEMS HEX HEAD	31861025	2
2-12	WASHER SPRING	A31220008-12	2	15	BOLT-HEX HEAD	30031650	2
3	SUPPORT	A302316152	1	16	BOLT-HEX HEAD	30031655	6
4	AIR CLEANER ASS'Y	A31031601P	1	17	NUT-HEX	32011002	3
4-1	AIR CLEANER HOUSING	A31031601P-1	1				

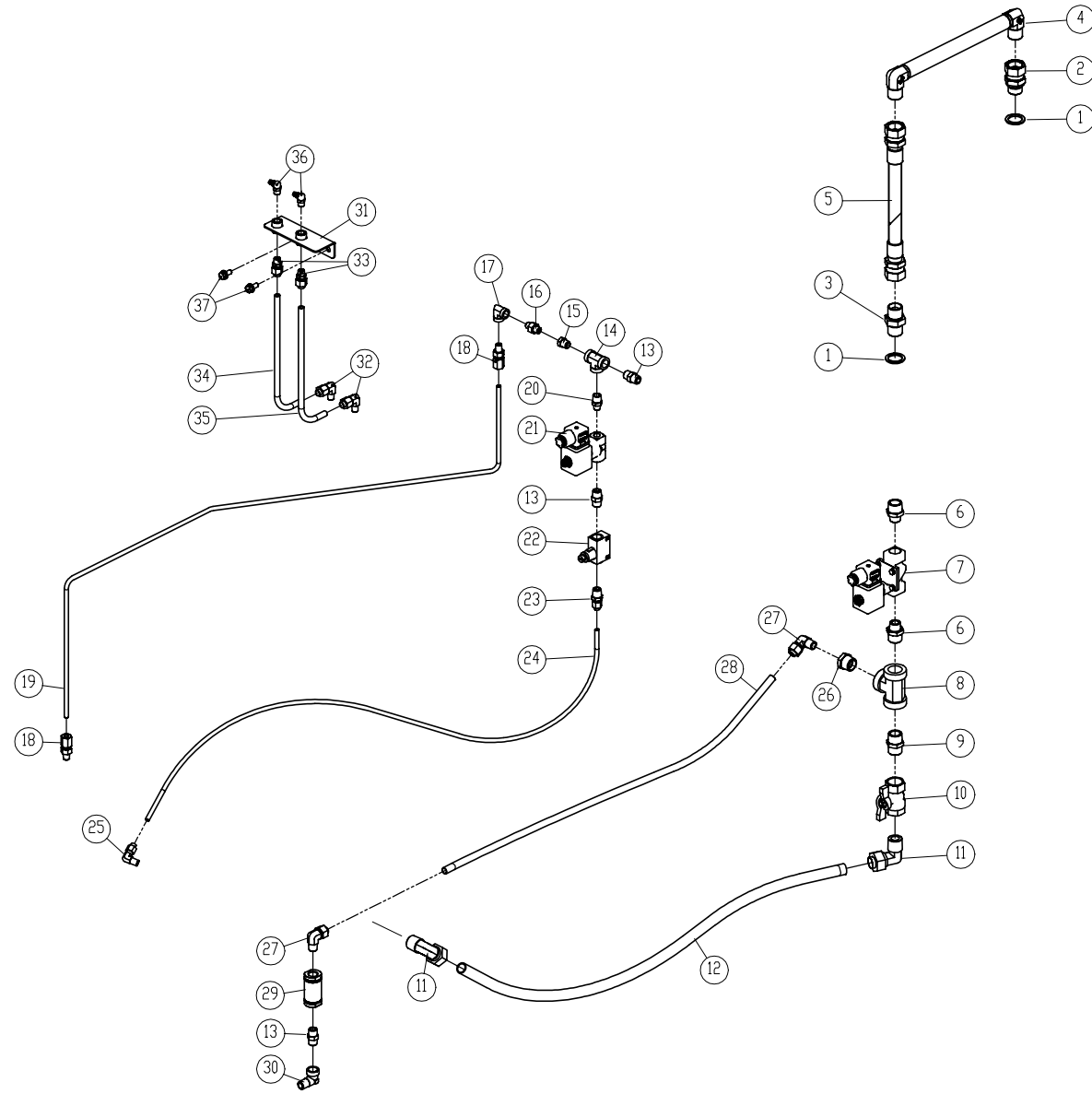
Scavenge System

8



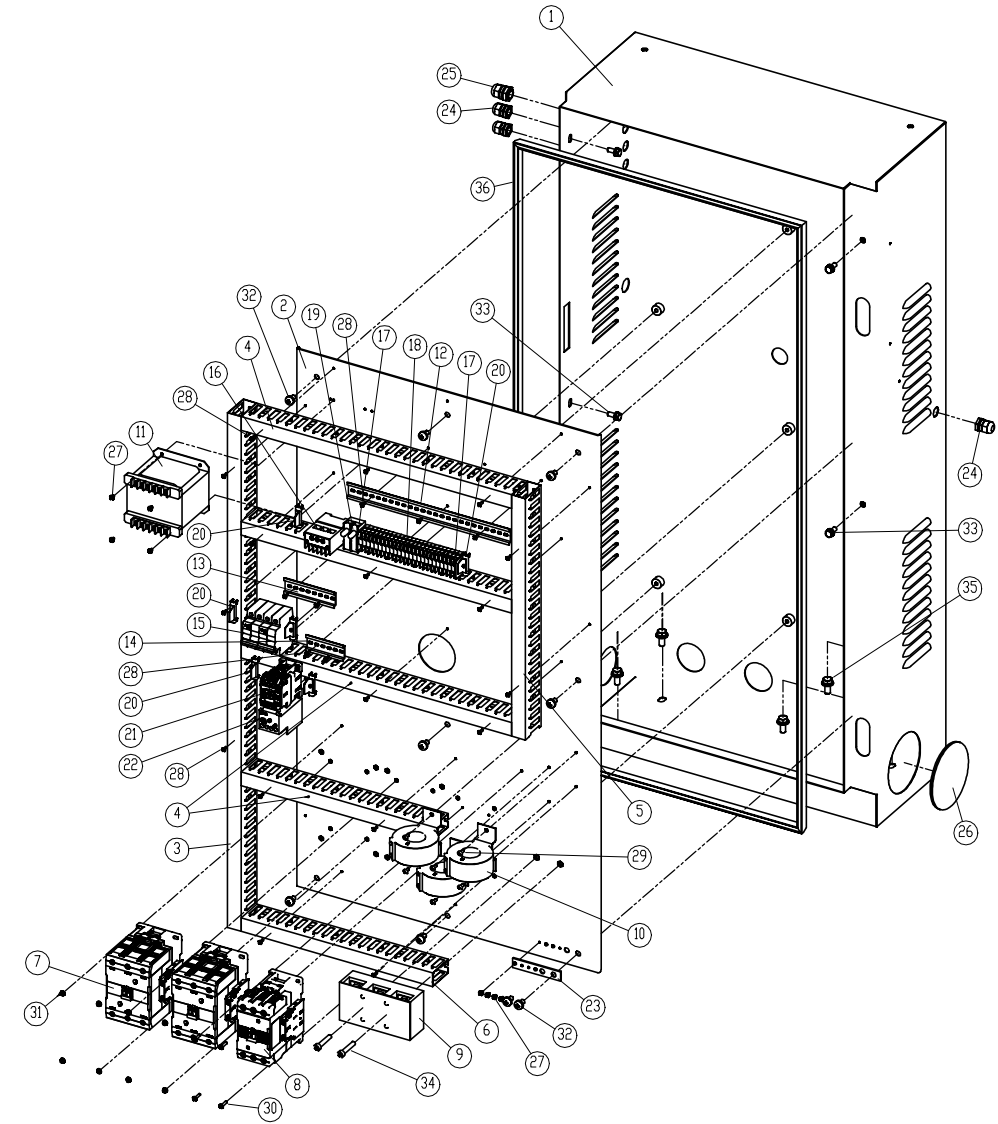
NO	PART	PART_NO	QTY	NO	PART	PART_NO	QTY
1	GASKET-COPPER	A31820001	1	9	PIPE	A317316042	1
2	SWIVEL ADAPTER	A31520002	1	10	OIL RECOVERY ASS'Y	A312600020	1
3	MALE CONNECTOR	A315100001	1	11	NIPPLE	40305012	1
4	MALE CONNECTOR	42302209	1	12	MALE CONNECTOR	A31511009	2
5	SEAMLESS PIPE	A317315001	1	13	HYDRAULIC HOSE	A316115004	1
6	ELBOW	49901458	1	14	NIPPLE	A315311206	2
7	ELBOW	49901460	1	15	OIL RETURN LINE	A317315015	1
8	MALE CONNECTOR	A315311207	1				

9



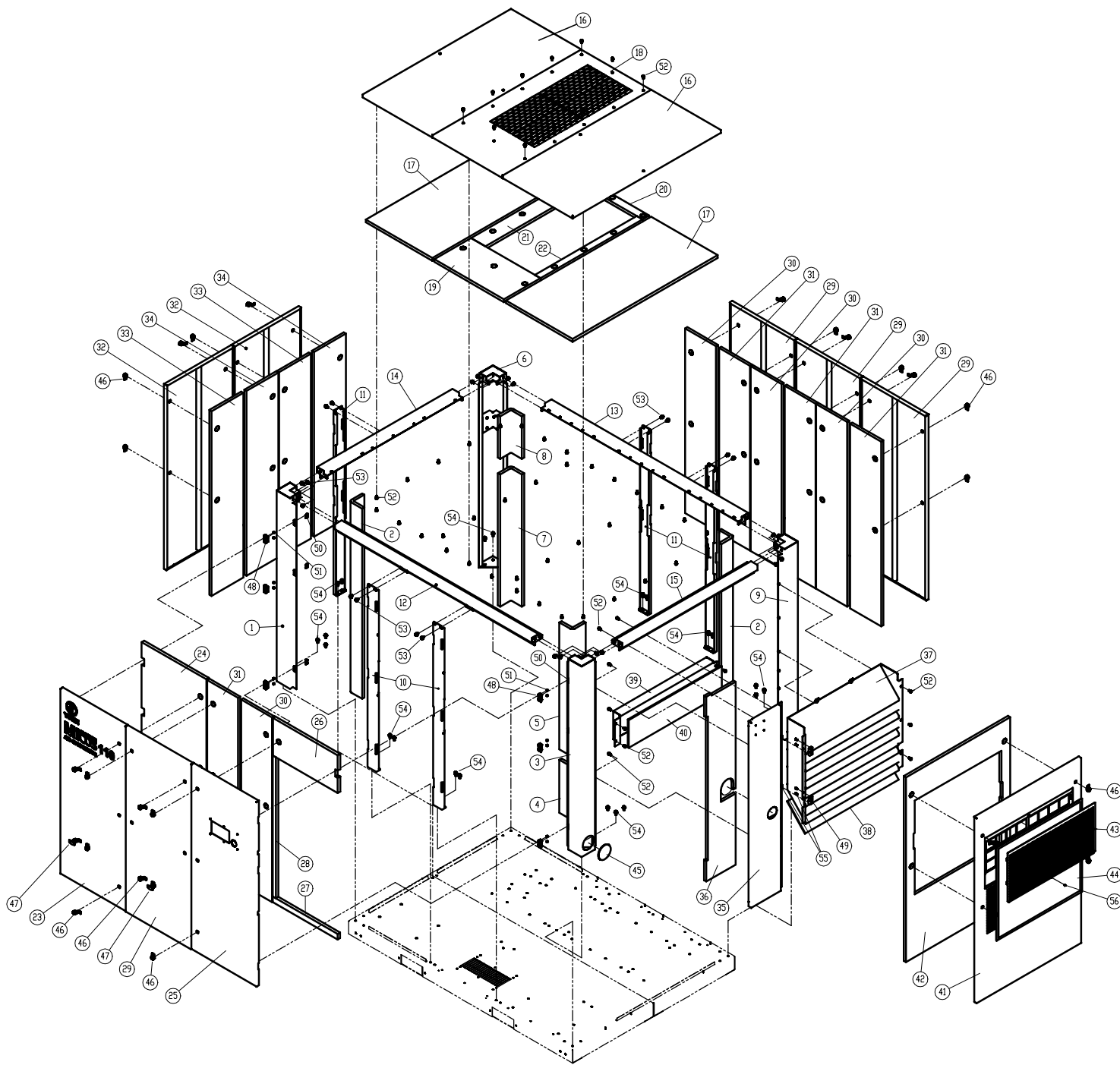
NO.	PARTS	PARTS NO.	Q'TY.	NO.	PARTS	PARTS NO.	Q'TY.
1	GASKET-COPPER	A31820001	2	20	NIPPLE- 황동이경	40305012	1
2	SWIVEL ADAPTER	A31520002	1	21	SOL. VALVE<3WAY>	A31230001P	1
3	MALE CONNECTOR	A31510002	1	22	SPEED CONTROLLERS	A31240003	1
4	PIPE, CONTROL LINE	A317200057	1	23	NIPPLE-MALE	40314002	1
5	METAL HOSE, CONTROL 15A(1/2")	A31710051	1	24	NYLON TUBE<OD06*ID04>	A316200001	1
6	NIPPLE- 황동이경	40305014	2	25	ELBOW-MALE	40118001	1
7	SOL.VALVE<2WAY>	A31230008P	1	26	BUSHING- 황동	40604021	1
8	TEE- 황동 F*F	40210004	1	27	ELBOW-MALE	40118005	2
9	NIPPLE- 황동<Rc1/2>	40305004	1	28	NYLON TUBE<OD010*ID08>	A316200003	1
10	VALVE- 황동 볼 1/2*(나비핸들)	41006003	1	29	CHECK VALVE <Rc1/4">	66301096	1
11	ELBOW-MALE<R1/2">	40118010	2	30	ELBOW- 황동 Mx F 1/4	40110002	1
12	NYLON TUBE<OD016*ID013>	A316200005	1	31	BRACKET, GREASE NIPPLE	A302310071	1
13	NIPPLE- 황동 1/4	40305002	3	32	ELBOW-MALE	40118003	2
14	TEE- 황동 F*F	40210002	1	33	NIPPLE-MALE	40314003	2
15	BUSHING- 황동	40604024	1	34	NYLON TUBE<OD08*ID06>	43102003	1
16	NIPPLE-DRIFICE<01>	66101001	1	35	NYLON TUBE<OD08*ID06>	43102003	1
17	ELBOW- 황동 F*F	40109001	1	36	NIPPLE-MOTOR GREASE	A315100012	2
18	NIPPLE-SMC06-2R	A315311205	2	37	BOLT-SEMS HEX HEAD	3141A00616	2
19	AIR LINE	A317315016	1				

10



NO.	PARTS	PARTS NO.	Q'TY.	NO.	PARTS	PARTS NO.	Q'TY.
1	CONTROL BOX<STD>	A302316003	1	19	FUSE HOLDER	A31340004	1
2	BACK PLATE<STD>	A302316004	1	20	TERMINAL STOPPER	A31350030	6
3	PVC DUCT	A31420051	1	21	MC	A31310003	1
4	PVC DUCT	A31420051	3	22	THERMAL RELAY	A31330008	1
5	PVC DUCT	A31420051	1	23	EARTH BAR	A31490007	1
6	PVC DUCT	A31420051	2	24	CABLE GRAND	A31420003	3
7	MC	A31310014	2	25	CABLE GRAND	A31420004	1
8	MC	A31310012	1	26	RUBBER STOPPER<0121>	A31490031	1
9	TERMINAL BLOCK	A31350020	1	27	SCREW-SEMS 동근머리 (+)	31710408	8
10	CT	A31430021	3	28	SCREW- 동근머리(+)	31110410	26
11	TRANSFORMER	A31360310	1	29	SCREW- 동근머리(+)	31110510	6
12	DIN RAIL<수평>	A31350024	1	30	SCREW-SEMS 동근머리 (+)	31710420	4
13	DIN RAIL<수평>	A31350024	1	31	SCREW-SEMS 동근머리(+)	31710520	8
14	DIN RAIL<수평>	A31350024	1	32	SCREW-SEMS 동근머리(+)	31710816	11
15	MCCB	A31340007	2	33	BOLT-SEMS HEX HEAD	31860820	4
16	EDCR	A31430015	1	34	BOLT-SOCKET HD.	30110845	2
17	SEPARATOR	A31350031	2	35	BOLT-SEMS HEX HEAD	31861025	4
18	TERMINAL BLOCK	A31350002	25	36	RUBBER SEAL	A30840001P	1

11



12

NO	PART	PART_NO	QTY	NO	PART	PART_NO	QTY
1	SIDE POST	A302316110	1	29	MIDDLE COVER	A302316124	4
2	SOUND ABSORBENT	A30531602	2	30	SOUND ABSORBENT	A305316059	4
3	SIDE POST	A302316111	1	31	SOUND ABSORBENT	A305316060	4
4	SOUND ABSORBENT	A30531603	1	32	SIDE COVER	A302316125	2
5	SOUND ABSORBENT	A305316069	1	33	SOUND ABSORBENT	A305316061	2
6	SIDE POST	A302316112	1	34	SOUND ABSORBENT	A305316062	2
7	SOUND ABSORBENT	A305316067	1	35	SIDE COVER	A302316126	1
8	SOUND ABSORBENT	A305316068	1	36	SOUND ABSORBENT	A305316063	1
9	SIDE COVER	A302316113	1	37	BAFFLE ASS'Y	A302316143	1
10	MIDDLE POST	A302316114	2	38	SOUND ABSORBENT	A305316065	5
11	MIDDLE POST	A302316115	3	39	BAFFLE	A302316154	1
12	UPPER FRAME	A302316116	1	40	SOUND ABSORBENT	A305316066	1
13	UPPER FRAME	A302316117	1	41	SIDE COVER	A302316127	1
14	UPPER FRAME	A302316118	1	42	SOUND ABSORBENT	A302316064	1
15	UPPER FRAME	A302316119	1	43	COVER	A302316155	1
16	TOP COVER	A302316120	2	44	FREE FILTER	A305316070	1
17	SOUND ABSORBENT	A30531607	2	45	RUBBER STOPPER	A31490031	1
18	TOP COVER	A302315040	1	46	DOOR LOCK	A320100003P	32
19	SOUND ABSORBENT	A305315002	1	47	DOOR LOCK	A320100004P	2
20	SOUND ABSORBENT	A305315003	1	48	HINGE	A32020001P	6
21	SOUND ABSORBENT	A305315004	1	49	HINGE	A320200001	2
22	SOUND ABSORBENT	A305315005	1	50	BOLT-FLANGE	30220614	12
23	FRONT COVER	A302315039	1	51	NUT-LOCK	32110602	12
24	SOUND ABSORBENT	A305316055	1	52	BOLT-SMES HEX HEAD	31860820	63
25	FRONT COVER	A302316123	1	53	BOLT-SEMS HEX HEAD	31861020	26
26	SOUND ABSORBENT	A305316056	1	54	BOLT-SEMS HEX HEAD	31861025	22
27	SOUND ABSORBENT	A305316057	1	55	SCREW-SEMS 동근머리	31710516	8
28	SOUND ABSORBENT	A305316058	1	56	SCREW-동근머리	31110408	1